



崧晏電氣有限公司
SONGYAM ELECTRICAL CO.,LTD.

上海总部：上海市嘉定区嘉行公路2935号
OFFICE:NO.2935,JiaHang Road,Jia Ding Dist,Shanghai.
电话(TEL): 86-21-59953435 59953436 59953437
传真(FAX): 86-21-59952000
邮编(ZIP):201816
Http://www.songyam.com.cn
E-mail:sales@songyam.com.cn



SONGYAM

崧晏電氣有限公司
SONGYAM ELECTRICAL CO.,LTD.

目录 GUIDE »

软管系列 CONDUITS »

重型金属软管 Heavyweight Flexible Metal Conduit (TYPE MT)	2
轻型金属软管 Lightweight Flexible Metal Conduit (TYPE MR)	3
不锈钢金属软管 Stainless Steel Flexible Metal Conduit (TYPE MS)	4
UL1型金属软管 UL1 Flexible Metal Conduit (TYPE ML)	5
防爆型金属软管 Explosion-proof Flexible Metal Conduit (TYPE EXM)	6
重型防水金属软管 Heavyweight Liquidtight Flexible Metal Conduit (TYPE WV)	7
轻型防水金属软管 Lightweight Liquidtight Flexible Metal Conduit (TYPE WR)	8
不锈钢防水金属软管 Stainless Steel Liquidtight Flexible Metal Conduit (TYPE WS)	9
低烟毒防水金属软管 Low Smoke And Low Toxicity Liquidtight Flexible Metal Conduit (TYPE WL)	10
耐油型防水金属软管 Oil-resistant Liquidtight Flexible Metal Conduit (TYPE WO)	11
耐寒型防水金属软管 Cold-resistant Liquidtight Flexible Metal Conduit (TYPE WA)	12
增强型防水金属软管 Enhanced Liquidtight Flexible Metal Conduit (TYPE CA)	13
UL型防水金属软管 UL Liquidtight Flexible Metal Conduit (TYPE CL)	14
抗拉型防水金属软管 Tensile Strength Liquidtight Flexible Metal Conduit (TYPE CI)	15
防爆型防水金属软管 Explosion-proof Liquidtight Flexible Metal Conduit (TYPE EXW)	16
尼龙软管 Nylon Tubing (TYPE PA)	17
阻燃尼龙软管 Flame-retardant Nylon Tubing (TYPE FPA)	18
阻燃聚丙烯软管 Flame-retardant Polypropylene Tubing (TYPE FPP)	19
聚乙烯软管 Polyethylene Tubing (TYPE PE)	20

连接器系列 CONNECTORS »

锌制防水型外螺纹接头 Liquidtight End Connector (TYPE ZGSM)	21
锌制防水型内螺纹接头 Liquidtight Internal Thread Connector (TYPE ZGSF)	22
锌制防水型弯接头 Liquidtight Metal Connector (TYPE ZGLM/TYPE ZGHM)	23
锌制防水型卡套式 自固式接头 Liquidtight Butt Connector (TYPE ZGSP/TYPE ZGSK)	24
美标锌制防水型弯接头 Liquidtight Metal Connector (TYPE ZGSD/TYPE ZGLD)	25
铜制防水型外螺纹接头 Liquidtight End Connector (TYPE BSM)	26
铜制防水型内螺纹接头 Liquidtight Internal Thread Connector (TYPE BSF)	27
铜制防水型锁紧式接头 Liquidtight End Connector (TYPE BSL)	28
不锈钢防水型外螺纹接头 Liquidtight End Connector (TYPE SSM)	29
不锈钢防水型内螺纹接头 Liquidtight Internal Thread Connector (TYPE SSF)	30
不锈钢防水型弯接头 Liquidtight Metal Connector (TYPE SLM/TYPE SHM)	31
尼龙快速接头 Nylon Connector (TYPE NQSM-M)	32
尼龙快速接头 Nylon Connector (TYPE NQSM-P/TYPE NQSM-G)	33
尼龙防水接头 Liquidtight Nylon Connector (TYPE NWSM-M)	34
尼龙防水接头 Liquidtight Nylon Connector (TYPE NWSM-P/TYPE NWSM-PF)	35
尼龙快速弯接头 Nylon Connector (TYPE NQLM)	36
铜制电缆接头 Metal Cable Gland (TYPE BCG-G/TYPE BCG-N)	37
铜制电缆接头 Metal Cable Gland (TYPE BCG-M)	38
铜制电缆接头 Metal Cable Gland (TYPE BCG-P)	39
铜制防磁波电缆接头 Emc Cable Gland (TYPE BEG)	40
不锈钢电缆接头 Metal Cable Gland (TYPE SCG-G/TYPE SCG-N)	41
不锈钢电缆接头 Metal Cable Gland (TYPE SCG-M)	42
不锈钢电缆接头 Metal Cable Gland (TYPE SCG-P)	43
尼龙电缆接头 Nylon Cable Gland (TYPE NCG-G/TYPE NCG-N)	44
尼龙电缆接头 Nylon Cable Gland (TYPE NCG-M)	45
尼龙电缆接头 Nylon Cable Gland (TYPE NCG-P)	46
附件 Accessories	47-48



公司简介 »

上海松晏电气有限公司创建于2000年，是高等级金属软管的专业制造商，我们致力于电线保护系统生产与开发，我们拥有成套的高端生产设备及资深的管理和技术团队，让我们有能力为您提供优质的产品与诚信的服务。

同时公司为了确立生产品质提升效率增强国际竞争力，也已顺利取得ISO 9001:2008质量管理体系认证，产品已通过欧洲RoHS检测及UL和CE认证等多项检测证明。公司本着诚信、品质、服务、创新、效率的经营理念，竭诚为用户服务，持续提供满足用户及适用法规需求的产品。



■ 重型金属软管 (MT型)
Heavyweight Flexible Metal Conduit (TYPE MT)

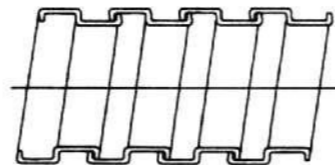
SONGYAM



MT型软管 具有高的机械强度, 耐腐蚀, 耐高温, 适用于温度较高、湿度较低的工作环境, 如: 钢铁、冶炼、楼宇消防设施、照明设备等。通过RoHS测试

型号 Type	规格尺寸 Trade size	最小内径 Min. inner(mm)	最大外径 Max. outer(mm)	弯曲半径 Bending(mm)	包装数量 Coil(m)
MT-6	3/16"	6.0	8.2	15	100
MT-8	1/4"	7.8	11.2	20	100
MT-10	5/16"	10.0	13.4	30	50
MT-12	3/8"	12.2	15.6	35	50
MT-16	1/2"	16.0	19.7	45	50
MT-20	3/4"	20.3	24.5	55	50
MT-25	1"	25.5	30.6	65	50
MT-32	1-1/4"	32.5	38.2	85	25
MT-38	1-1/2"	38.0	44.8	100	25
MT-51	2"	50.4	58.2	130	20
MT-64	2-1/2"	62.5	71.1	160	10
MT-75	3"	75.0	84.3	190	10
MT-100	4"	98.5	109.0	250	10

- 产品构造: 加厚热镀锌钢带绕制而成
- 工作温度: 最高温度250°C
- 防护等级: IP40



- Type-MT
MT is the non-jacket flexible steel conduit.
- Structure: Helically formed from thick hot-dipped galvanized steel strip
- Temperature Range: Up to 250°C
- Protection Degree: IP40
- Properties or Applications: Type-MT conduit has high mechanical strength, corrosion resistance, high temperature resistance, suitable for high temperature, low humidity work environment, such as steel, metallurgy, building fire safety facilities, lighting equipment.
Passed RoHS

■ 轻型金属软管 (MR型)
Lightweight Flexible Metal Conduit (TYPE MR)

SONGYAM



MR型软管 具有良好的机械强度, 耐腐蚀, 耐高温, 适用于温度较高、湿度较低的工作环境, 如: 钢铁、冶炼、楼宇消防设施、照明设备等。通过RoHS测试

型号 Type	规格尺寸 Trade size	最小内径 Min. inner(mm)	最大外径 Max. outer(mm)	弯曲半径 Bending(mm)	包装数量 Coil(m)
MR-6	3/16"	6.0	8.2	25	100
MR-8	1/4"	7.8	11.0	35	100
MR-10	5/16"	10.2	13.4	40	50
MR-12	3/8"	12.0	15.3	50	50
MR-16	1/2"	15.6	19.3	65	50
MR-20	3/4"	19.7	23.3	80	50
MR-25	1"	25.2	29.7	100	50
MR-32	1-1/4"	32.2	37.6	130	25
MR-38	1-1/2"	38.1	44.8	152	25
MR-51	2"	50.8	58.2	200	20
MR-64	2-1/2"	62.5	71.1	250	10
MR-75	3"	75.0	84.3	300	10
MR-100	4"	98.0	109.0	390	10

- 产品构造: 热镀锌钢带绕制而成
- 工作温度: 最高温度250°C
- 防护等级: IP40



- Type-MR
MR is the non-jacket flexible steel conduit.
- Structure: Helically formed from hot-dipped galvanized steel strip
- Temperature Range: Up to 250°C
- Protection Degree: IP40
- Properties or Applications: Type-MR conduit has good mechanical strength, corrosion resistance, high temperature resistance, suitable for high temperature, low humidity work environment, such as steel, metallurgy, building fire safety facilities, lighting equipment.
Passed RoHS

■ 不锈钢金属软管 (MS型)

Stainless Steel Flexible Metal Conduit (TYPE MS)

SONGYAM



MS型软管 具有良好的耐腐蚀性, 耐高温, 机械强度高, 适用于高湿高温、高腐蚀的工作环境, 如: 化工、钢铁、冶炼、船舶等场所。
通过RoHS测试

型号 Type	规格尺寸 Trade size	最小内径 Min. inner (mm)	最大外径 Max. outer (mm)	弯曲半径 Bending (mm)	包装数量 Coil (m)
MS-6	3/16"	5.9	8.2	25	100
MS-8	1/4"	7.8	11.0	35	100
MS-10	5/16"	10.0	13.4	40	50
MS-12	3/8"	12.4	15.3	50	50
MS-16	1/2"	15.4	19.3	65	50
MS-20	3/4"	20.0	23.3	80	50
MS-25	1"	25.0	29.7	100	50
MS-32	1-1/4"	32.0	37.6	130	25
MS-38	1-1/2"	38.0	44.8	152	25
MS-51	2"	51.0	58.2	200	20
MS-64	2-1/2"	62.5	71.1	250	10
MS-75	3"	75.0	84.3	300	10
MS-100	4"	98.0	109.0	390	10

■ 产品构造: 由SUS304不锈钢带绕制而成

■ 工作温度: 最高温度600°C

■ 防护等级: IP40

□ Type-MS

MS is the non-jacket flexible stainless steel conduit.

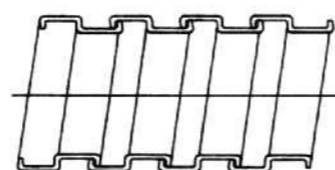
□ Structure: Helically formed from SUS 304 stainless steel strip

□ Temperature Range: UP to 600°C

□ Protection Degree: IP40

□ Properties or Applications: Type -MS conduit has good corrosion resistance, high temperature resistance, high mechanical strength, suitable for high temperature and humidity, high corrosion work environment, such as chemical, steel, metallurgy, shipbuilding and other places.

Passed RoHS



■ UL1型金属软管 (ML型)

UL1 Flexible Metal Conduit (TYPE ML)

SONGYAM



ML型软管 依照美国UL1标准制造, 耐腐蚀、耐高温、具有极高的抗机械损伤能力, 被广泛应用于各领域。
通过RoHS测试

型号 Type	规格尺寸 Trade size	最小内径 Min. inner (mm)	最大外径 Max. outer (mm)	弯曲半径 Bending (mm)	包装数量 Coil (m)
ML-12	3/8"	9.52	15.40	50	50
ML-16	1/2"	15.88	23.37	75	50
ML-20	3/4"	20.62	28.07	100	50
ML-25	1"	25.40	35.05	125	50
ML-32	1-1/4"	31.75	41.40	160	25
ML-38	1-1/2"	38.10	49.53	190	25
ML-51	2"	50.80	62.23	255	20
ML-64	2-1/2"	63.50	77.72	320	10
ML-75	3"	76.20	90.42	380	10
ML-90	3-1/2"	88.90	103.12	445	10
ML-100	4"	101.60	115.82	570	10

■ 产品构造: 厚热镀锌钢带绕制而成

■ 工作温度: 最高温度250°C

■ 防护等级: IP40

□ Type-ML

ML is the UL1 flexible steel conduit.

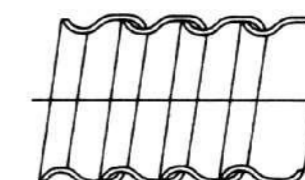
□ Structure: Helically formed from thick hot-dipped galvanized steel strip.

□ Temperature Range: Up to 250°C

□ Protection Degree: IP40

□ Properties or Applications: Type-ML conduit in accordance with U.S. standards for manufacturing, corrosion resistance, high temperature, with a high resistance to mechanical damage ability, is widely used in various fields.

Passed RoHS



■ 防爆型金属软管 (EXM型)

Explosion-proof Flexible Metal Conduit (TYPE EXM)

SONGYAM



EXM型软管 具有防爆、耐腐蚀、耐高温, 高的机械强度, 适用于安全性高的场所, 如: 化工、煤矿、核电、钢铁、冶炼、焊接等。通过RoHS测试。

型号 Type	规格尺寸 Trade size	最小内径 Min. inner(mm)	最大外径 Max. outer(mm)	弯曲半径 Bending(mm)	包装数量 Coil(m)
EXM-10	5/16"	10.0	16.0	40	50
EXM-12	3/8"	12.2	18.0	50	60
EXM-16	1/2"	16.0	22.2	65	50
EXM-20	3/4"	20.3	27.0	80	50
EXM-25	1"	25.5	33.0	105	50
EXM-32	1-1/4"	32.5	41.0	130	25
EXM-38	1-1/2"	38.0	47.3	160	25
EXM-51	2"	60.4	60.7	205	20
EXM-64	2-1/2"	62.5	73.6	250	10
EXM-75	3"	75.0	87.0	300	10
EXM-100	4"	98.5	112.0	400	10

- 产品构造: 其内核为加厚热镀锌钢带绕制而成, 外部不锈钢编织加固。
- 工作温度: 最高温度250°C
- 防护等级: IP40

□ Type-EXM

EXM is the non-liquidtight explosion-proof flexible steel conduit.

- Structure: Its core is thicker heat galvanized steel strip around the system, external stainless steel braided reinforcement.

- Temperature Range: Up to 250°C

- Protection Degree: IP40

- Properties or Applications: EXM conduit with explosion-proof, corrosion resistance, high temperature resistance, high mechanical strength for safe place, such as chemical, coal, nuclear power, steel, metallurgy, welding, etc. Passed RoHS



■ 重型防水金属软管 (WV型)

Heavyweight Liquidtight Flexible Metal Conduit (TYPE WV)

SONGYAM



WV型软管 具有防液体渗漏功能, 高弯曲性、机械强度高, 可以在不同的工业环境中使用 (如电力, 机车, 化工, 冶金, 机械加工中心, 机器人) 等行业。通过RoHS测试

型号 Type	规格尺寸 Trade size	最小内径 Min. inner(mm)	最大外径 Max. outer(mm)	弯曲半径 Bending(mm)	包装数量 Coil(m)
WV-6	3/16"	6.0	9.2	20	100
WV-8	1/4"	8.1	12.2	25	100
WV-10	5/16"	10.0	14.2	30	100
WV-12	3/8"	12.2	16.5	35	50
WV-16	1/2"	16.0	20.5	50	50
WV-20	3/4"	20.3	25.7	60	50
WV-25	1"	25.5	31.7	80	50
WV-32	1-1/4"	32.5	39.5	90	25
WV-38	1-1/2"	38.0	46.5	110	25
WV-51	2"	50.4	60.0	150	20
WV-64	2-1/2"	62.5	73.0	190	10
WV-75	3"	75.0	87.0	220	10
WV-100	4"	98.5	113.0	300	10

- 产品构造: 其内核由加厚热镀锌钢带绕制而成, 独特的真空挤出工艺使得软管外部覆上一层PVC而不影响导管的弯曲性。
- 工作温度: -25°C~90°C
- 阻燃等级: V0(UL94), GB8624 B2
- 防护等级: IP68
- 颜色: 黑色、灰色, 其他颜色可以根据需求而定

□ Type-WV

WV is liquidtight jacket hot-dipped galvanized steel conduit for high-flex

- Structure: Its core consists of thick hot-dipped galvanized steel, external covered with a layer of PVC

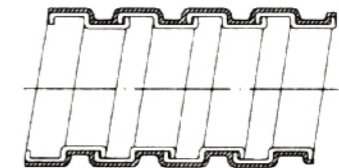
- Temperature Range: -25°C ~ 90°C

- Flame-retardant: V0(UL94), GB8624 B2

- Protection Degree: IP68

- Standard Color: Black and gray. Other colors available upon request.

- Properties or Applications: Type -WV conduit with liquidtight function, good flexibility and good bending resistance, good mechanical strength, can be in different industrial environments (such as electric power, metallurgy, machining centers and robots, etc), Passed RoHS



■ 轻型防水金属软管 (WR型)

Lightweight Liquidtight Flexible Metal Conduit (TYPE WR)

SONGYAM



WR型软管 具有防液体渗漏功能, 良好的弯曲性, 机械强度高, 可以在不同的工业环境中使用 (如电力, 冶金, 机械加工中心, 机器人) 等行业。
通过RoHS测试

型号 Type	规格尺寸 Trade size	最小内径 Min. inner(mm)	最大外径 Max. outer(mm)	弯曲半径 Bending(mm)	包装数量 Coil(m)
WR-6	3/16"	6.0	9.2	25	100
WR-8	1/4"	7.8	12.2	35	100
WR-10	5/16"	10.2	14.2	40	50
WR-12	3/8"	12.0	16.2	50	50
WR-16	1/2"	15.6	20.2	65	50
WR-20	3/4"	19.7	24.2	80	50
WR-25	1"	25.2	30.5	100	50
WR-32	1-1/4"	32.2	39.0	130	25
WR-38	1-1/2"	38.0	46.3	152	25
WR-51	2"	50.4	60.0	200	20
WR-64	2-1/2"	62.5	73.3	250	10
WR-75	3"	75.0	87.0	300	10
WR-100	4"	98.5	113.0	390	10

- 产品构造: 其内核由热镀锌钢带绕制而成, 独特的真空挤出工艺使得软管外部覆上一层PVC而不影响导管的弯曲性。
- 工作温度: -25°C~90°C
- 阻燃等级: V0(UL94),GB8624 B2
- 防护等级: IP68
- 颜色: 黑色、灰色, 其他颜色可以根据需求而定



- Type-WR
WR is liquidtight jacket hot-dipped galvanized steel conduit for high-flex
- Structure: Its core consists of hot-dipped galvanized steel, external covered with a layer of PVC
- Temperature Range: -25°C ~90°C
- Flame-retardant: V0(UL94),GB8624 B2
- Protection Degree: IP68
- Standard Color: Black and gray. Other colors available upon request.
- Properties or Applications: Type -WR conduit with liquidtight function, good flexibility, and good mechanical strength, can be in different industrial environments (such as electric power, metallurgy, machining centers, robots), etc.
Passed RoHS

■ 不锈钢防水金属软管 (WS型)

Stainless Steel Liquidtight Flexible Metal Conduit (TYPE WS)

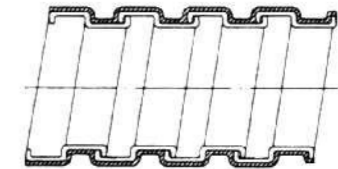
SONGYAM



WS型软管 具有防液体渗漏功能, 良好的耐腐蚀性, 机械强度高, 适用于高潮湿、高腐蚀的工作环境, 如: 化工、钢铁、冶炼、船舶等场所。
通过RoHS测试

型号 Type	规格尺寸 Trade size	最小内径 Min. inner(mm)	最大外径 Max. outer(mm)	弯曲半径 Bending(mm)	包装数量 Coil(m)
WS-6	3/16"	5.9	9.0	20	100
WS-8	1/4"	7.8	12.0	25	100
WS-10	5/16"	10.0	14.0	30	100
WS-12	3/8"	12.4	16.8	35	50
WS-16	1/2"	15.4	20.0	50	50
WS-20	3/4"	20.0	24.5	60	50
WS-25	1"	25.0	31.2	80	50
WS-32	1-1/4"	32.0	39.0	90	25
WS-38	1-1/2"	38.0	46.3	110	25
WS-51	2"	51.0	59.7	150	20
WS-64	2-1/2"	62.5	73.0	190	10
WS-75	3"	75.0	87.0	220	10
WS-100	4"	98.0	113.0	300	10

- 产品构造: 其内核由不锈钢带绕制而成, 独特的真空挤出工艺使得软管外部覆上一层PVC而不影响导管的弯曲性。
- 工作温度: -25°C~90°C
- 阻燃等级: V0(UL94),GB8624 B2
- 防护等级: IP68
- 颜色: 黑色、灰色, 其他颜色可以根据需求而定



- Type-WS
WS is liquidtight jacket stainless steel conduit for high-flex
- Structure: Its core consists of SUS304 stainless steel, external covered with a layer of PVC.
- Temperature Range: -25°C ~90°C
- Flame-retardant: V0(UL94),GB8624 B2
- Protection Degree: IP68
- Standard Color: Black and gray. Other colors available upon request.
- Properties or Applications: Type -WS conduit with liquidtight function, with excellent corrosion resistance, high mechanical strength, suitable for high humidity, high corrosion work environment, such as chemical, steel, metallurgy, shipbuilding and other places.
Passed RoHS

低烟毒防水金属软管 (WL型)

Low Smoke And Low Toxicity Liquidtight Flexible Metal Conduit (TYPE WL)

SONGYAM



WL型软管 其被覆塑料具有低烟低毒的特性, 是保障人类生命财产的安全产品。通过RoHS测试

型号 Type	规格尺寸 Trade size	最小内径 Min. inner(mm)	最大外径 Max. outer(mm)	弯曲半径 Bending(mm)	包装数量 Coil(m)
WL-6	3/16"	6.0	9.2	20	100
WL-8	1/4"	8.1	12.2	25	100
WL-10	5/16"	10.0	14.2	30	100
WL-12	3/8"	12.2	16.5	35	50
WL-16	1/2"	16.0	20.5	50	50
WL-20	3/4"	20.3	25.7	60	50
WL-25	1"	25.5	31.7	80	50
WL-32	1-1/4"	32.5	39.5	90	25
WL-38	1-1/2"	38.0	46.5	110	25
WL-51	2"	50.4	60.0	150	20
WL-64	2-1/2"	62.5	73.0	190	10
WL-75	3"	75.0	87.0	220	10
WL-100	4"	98.5	113.0	300	10

- **产品构造:** 其内核由热镀锌钢带绕制而成, 独特的真空挤出工艺使得软管外部覆上一层低烟低毒性塑料而不影响导管的弯曲性。
- **工作温度:** -25°C~90°C
- **燃烧等级:** V0(UL94),GB8624 B2
- **防护等级:** IP68
- **颜色:** 黑色、灰色, 其他颜色可以根据需求而定。



- Type-WL**
WL is low smoke and low toxicity jacket hot-dipped galvanized steel conduit for high-flex
- Structure:** Its core consists of thick hot-dipped galvanized steel external covered with a layer of low smoke and low toxicity plastic
- Temperature Range:** -25°C ~90°C
- Flame-retardant:** V0(UL94),GB8624 B2
- Protection Degree:** IP68
- Standard Color:** Black and gray. Other colors available upon request.
- Properties or Applications:** Type -WL conduit With a liquidtight function, and its coating plastic with low smoke and low toxicity characteristics , is to protect human life and property safety products sent. Passed RoHS

耐油型防水金属软管 (WO型)

Oil-resistant Liquidtight Flexible Metal Conduit (TYPE WO)

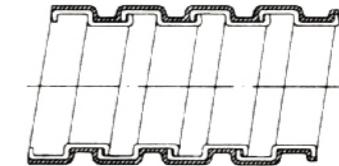
SONGYAM



WO型软管 具有防液体渗漏功能, 高的耐油性, 机械强度高, 适用一般工业用机油及切削油。通过RoHS测试

型号 Type	规格尺寸 Trade size	最小内径 Min. inner(mm)	最大外径 Max. outer(mm)	弯曲半径 Bending(mm)	包装数量 Coil(m)
WO-6	3/16"	6.0	9.2	20	100
WO-8	1/4"	8.1	12.2	25	100
WO-10	5/16"	10.0	14.2	30	100
WO-12	3/8"	12.2	16.5	35	50
WO-16	1/2"	16.0	20.5	50	50
WO-20	3/4"	20.3	25.7	60	50
WO-25	1"	25.5	31.7	80	50
WO-32	1-1/4"	32.5	39.5	90	25
WO-38	1-1/2"	38.0	46.5	110	25
WO-51	2"	50.4	60.0	150	20
WO-64	2-1/2"	62.5	73.0	190	10
WO-75	3"	75.0	87.0	220	10
WO-100	4"	98.5	113.0	300	10

- **产品构造:** 其内核由热镀锌钢带绕制而成, 独特的真空挤出工艺使得软管外部覆上一层耐油PVC而不影响导管的弯曲性。
- **工作温度:** -25°C~90°C
- **燃烧等级:** V0(UL94),GB8624 B2
- **防护等级:** IP68
- **颜色:** 黑色、灰色, 其他颜色可以根据需求而定。



- Type-WO**
WO is oil-resistant jacket hot-dipped galvanized steel conduit for high-flex
- Structure:** Its core consists of thick hot-dipped galvanized steel external covered with a layer of oil-resistant PVC
- Temperature Range:** -25°C ~90°C
- Flame-retardant:** V0(UL94),GB8624 B2
- Protection Degree:** IP68
- Standard Color:** Black and gray. Other colors available upon request
- Properties or Applications:** Type-WO conduit with a liquidtight function, high oil resistance, high mechanical strength, suitable for general industrial use oil, cutting oil. Passed RoHS

■ 耐寒型防水金属软管 (WA型)

Cold-resistant Liquidtight Flexible Metal Conduit (TYPE WA)

SONGYAM



WA型软管 适合在高寒的环境中使用，耐寒性特别出色，并具有高的机械强度。
通过RoHS测试

型号 Type	规格尺寸 Trade size	最小内径 Min. inner(mm)	最大外径 Max. outer(mm)	弯曲半径 Bending(mm)	包装数量 Coil(m)
WA-6	3/16"	6.0	9.2	20	100
WA-8	1/4"	8.1	12.2	25	100
WA-10	5/16"	10.0	14.2	30	100
WA-12	3/8"	12.2	16.5	35	50
WA-16	1/2"	16.0	20.5	50	50
WA-20	3/4"	20.3	25.7	60	50
WA-25	1"	25.5	31.7	80	50
WA-32	1-1/4"	32.5	39.5	90	25
WA-38	1-1/2"	38.0	46.5	110	25
WA-51	2"	50.4	60.0	150	20
WA-64	2-1/2"	62.5	73.0	190	10
WA-75	3"	75.0	87.0	220	10
WA-100	4"	98.5	113.0	300	10

■ 产品构造: 其内核由镀锌钢带绕制而成, 独特的真空挤出工艺使得软管外部覆上一层高耐寒PVC, 且不影响导管的弯曲性。

■ 工作温度: -55°C~80°C

■ 燃烧等级: V0(UL94),GB8624 B2

■ 防护等级: IP68

■ 颜色: 黑色、灰色, 其他颜色可以根据需求而定

□ Type-WA

WA is cold-resistant jacket hot-dipped galvanized steel conduit for high-flex

□ Structure: Its core consists of thick hot-dipped galvanized steel, external covered with a layer of cold-resistant PVC.

□ Temperature Range: -55°C ~ 80°C

□ Flame-retardant: V0(UL94),GB8624 B2

□ Protection Degree: IP68

□ Standard Color: Black and gray. Other colors available upon request

□ Properties or Applications: Type-WA conduit is suitable for use in cold environments, cold particularly outstanding, and has a high mechanical strength. Passed RoHS



■ 增强型防水金属软管 (CA型)

Enhanced Liquidtight Flexible Metal Conduit (TYPE CA)

SONGYAM



CA型软管 广泛应用于大型机械设备及特种设备, 其极高的防机械损伤性能, 为其中的导体提供了良好的保护, 其外部PVC材料的防晒功能保证软管能在户外长期使用。
通过RoHS测试

型号 Type	规格尺寸 Trade size	最小内径 Min. inner(mm)	最大外径 Max. outer(mm)	弯曲半径 Bending(mm)	包装数量 Coil(m)
CA-8	1/4"	7.8	12.5	30	100
CA-10	5/16"	10.2	14.5	40	50
CA-12	3/8"	12.3	18.0	50	50
CA-16	1/2"	15.8	21.3	65	50
CA-20	3/4"	20.6	26.7	85	50
CA-25	1"	26.4	33.4	105	50
CA-32	1-1/4"	34.2	42.2	135	20
CA-38	1-1/2"	40.0	48.3	160	20
CA-51	2"	51.0	60.3	200	20
CA-64	2-1/2"	63.0	73.0	250	10
CA-75	3"	76.8	88.9	320	10
CA-100	4"	98.5	114.3	400	10

■ 产品构造: 其内核由镀锌钢带绕制而成, 内芯嵌入棉线, 以增加其强度及吸震性能, 外部被覆抗紫外线PVC。

■ 工作温度: -25°C~105°C

■ 阻燃等级: V0 (UL94),GB8624 B2

■ 防护等级: IP68

■ 颜色: 黑色、灰色, 其他颜色可以根据需求而定。

□ Type-CA

CA is has jacket flexible metal enhanced conduit

□ Structure: Its core winding made from galvanized steel, the inner core embeddeed cotton thread, in order to increase their strength and shock-absorbing properties. UV-resistant PVC outer coating.

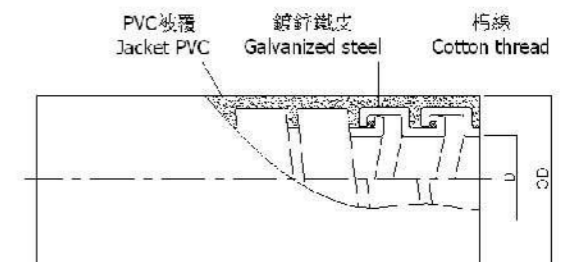
□ Temperature Range: -25°C ~ 105°C

□ Flame-retardant: V0(UL94),GB8624 B2

□ Protection Degree: IP68

□ Standard Color: Black and gray. Other colors available upon request

□ Properties or Applications: Type-CA conduit is widely used in large-scale machinery and equipment and special equipment, its high performance against mechanical damage, as one of the conductors provides good protection, their external PVC hose material sunscreen can guarantee long-term outdoor use. Passed RoHS



UL型防水金属软管 (CL型)

UL Liquidtight Flexible Metal Conduit (TYPE CL)

SONGYAM



CL型软管 是遵照美国UL360标准及国际电工法规NEC Article 351A制造, 其适用于对导体防护要求高的工作环境(如: 核电、风电、机场等场所)。
通过RoHS

型号 Type	规格尺寸 Trade size	最小内径 Min. inner(mm)	最大外径 Max. outer(mm)	弯曲半径 Bending(mm)	包装数量 Coil(m)
CL-12	3/8"	12.3	18.0	60	50
CL-16	1/2"	15.8	21.3	80	50
CL-20	3/4"	20.8	26.7	100	50
CL-25	1"	26.4	33.4	150	50
CL-32	1-1/4"	35.0	42.2	180	20
CL-38	1-1/2"	40.0	48.3	220	20
CL-51	2"	51.3	60.3	250	20
CL-64	2-1/2"	63.0	73.0	300	10
CL-75	3"	78.0	88.9	450	10
CL-100	4"	101.6	114.3	600	10

- **产品构造:** 其内核由镀锌钢带绕制而成。3/8"~1-1/4"是以矩形扣合而成且内嵌一接地铜线, 以减少软管本身的电阻值。1-1/2"~4"以反扣型方式绕制成管。外部被覆PVC层能够在工业环境中防水、防油、防酸侵蚀、防晒等。

- **工作温度:** -55°C~105°C

- **阻燃等级:** V0 (UL94)

- **防护等级:** IP68

- **颜色:** 黑色、灰色, 其他颜色可以根据需求而定。

- **Type-CL**

CL is has jacket UL flexible metal conduit

- **Structure:** Its core winding made from galvanized steel . 3/8" to 1-1/4"formed in a rectangular stud and a ground wire embedded in order to reduce the resistance of the hose itself . 1-1/2 "to 4" way around to buckle structure made of tubes.

- **Temperature Range:** -55°C ~ 105°C

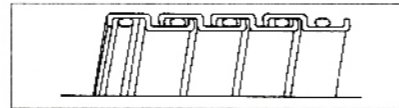
- **Flame-retardant:** V0(UL94)

- **Protection Degree:** IP68

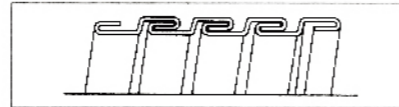
- **Standard Color:** Black and gray. Other colors available upon request

- **Properties or Applications:** Type-CL conduit is in compliance with U.S. UL360 standard and the International Electrotechnical regulations NEC Article 351A manufacturing, the conductor suitable for demanding work environment protection (such as nuclear power, wind power , airports and other places).
Passed RoHS

Squarelock with Filler SIZES: 3/8" - 1-1/4"



Interlock SIZES: 1-1/2" - 4"



抗拉型防水金属软管 (CI型)

Tensile Strength Liquidtight Flexible Metal Conduit (TYPE CI)

SONGYAM



CI型软管 其特殊的扣合方式使其具有极高的抗拉能力和防机械损伤性能, 为其中的导体提供了更好的保护。
通过RoHS测试

型号 Type	规格尺寸 Trade size	最小内径 Min. inner(mm)	最大外径 Max. outer(mm)	弯曲半径 Bending(mm)	包装数量 Coil(m)
CI-12	3/8"	12.3	18.0	50	50
CI-16	1/2"	15.8	21.3	65	50
CI-20	3/4"	20.6	26.7	85	50
CI-25	1"	26.4	33.4	105	50
CI-32	1-1/4"	34.2	42.2	135	20
CI-38	1-1/2"	40.0	48.3	160	20
CI-51	2"	51.0	60.3	200	20
CI-64	2-1/2"	63.0	73.0	250	10
CI-75	3"	76.8	88.9	320	10
CI-100	4"	98.5	114.3	400	10

- **产品构造:** 其内核由镀锌钢带反锁绕制而成,以增加其抗拉强度,外部被覆PVC。

- **工作温度:** -25°C~105°C

- **阻燃等级:** V0 (UL94),GB8624 B2

- **防护等级:** IP68

- **颜色:** 黑色、灰色, 其他颜色可以根据需求而定。

- **Type-CI**

CI is has jacket tension flexible metal conduit

- **Structure:** Its core consists of galvanized steel locked around the system to increase its tensile strength . External coating PVC.

- **Temperature Range:** -25°C ~ 105°C

- **Flame-retardant:** V0(UL94),GB8624 B2

- **Protection Degree:** IP68

- **Standard Color:** Black and gray. Other colors available upon request.

- **Properties or Applications:** Type-CI conduit engaging its special way so that it has a very high tensile strength properties and mechanical damage , as one of the conductor to provide better protection of their external sunscreen PVC materials can ensure long-term outdoor hose be used.
Passed RoHS



■ 防爆型防水金属软管 (EXW型)

Explosion-proof Liquidtight Flexible Metal Conduit (TYPE EXW)

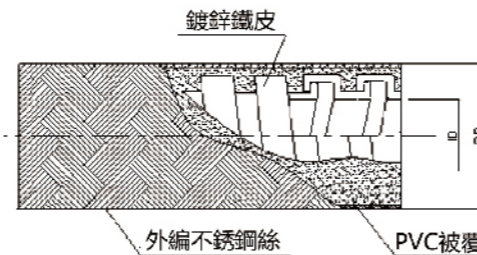
SONGYAM



EXW型软管 有防爆, 防止高温金属溅落物, 又具电磁屏蔽之功能广泛应用于高安全性场所 (如: 化工、煤矿、核电、钢铁、焊接等), 其极高的防机械损伤性能, 为其中的导体提供了良好的保护。通过RoHS测试

型号 Type	规格尺寸 Trade size	最小内径 Min. inner(mm)	最大外径 Max. outer(mm)	弯曲半径 Bending(mm)	包装数量 Coil(m)
EXW-10	5/16"	10.2	16.5	50	50
EXW-12	3/8"	12.0	19.0	60	50
EXW-16	1/2"	15.6	23.0	80	50
EXW-20	3/4"	19.7	28.0	100	50
EXW-25	1"	25.2	34.0	150	50
EXW-32	1-1/4"	32.2	42.0	180	25
EXW-38	1-1/2"	38.0	49.0	220	25
EXW-51	2"	50.4	62.5	250	20
EXW-64	2-1/2"	62.5	75.5	300	10
EXW-75	3"	75.0	89.5	450	10
EXW-100	4"	98.5	115.5	600	10

- 产品构造: 其内核由镀锌钢带绕制而成, 软管中部覆上一层PVC, 最外层不锈钢编织网。
- 工作温度: -25°C~90°C
- 防护等级: IP68



- Type-EXW
EXW is explosion-proof flexible metal conduit
- Structure: Its core winding made from galvanized steel, covered with a layer hose central PVC. The outermost layer of stainless steel woven wire mesh to prevent splashing hot metal falling objects, such as scrap iron, etc., but also with electromagnetic shielding, explosion-proof function.
- Temperature Range: -25°C ~90°C
- Protection Degree: IP68
- Properties or Applications: Type-EXW conduit explosion-proof hose, to prevent hot metal falling spatter, but also a function of electromagnetic shielding is widely used in high-security areas (such as chemical, coal, nuclear power, steel, welding, etc.), its high performance against mechanical damage, as one of the conductors provides a good protection. Passed RoHS

■ 尼龙软管 (PA型)

Nylon Tubing (TYPE PA)

SONGYAM



PA型软管 不含卤素和磷, 表面光泽, 高韧性, 抗扭曲, 机械强度高, 耐油, 耐碱, 耐弱酸等, 适用于: 机械制造, 电气绝缘保护, 电气自动化控制系统, 空调制冷设备, 公共交通设备、地铁电力机车等。通过RoHS测试

型号 Type	内径 Inner(mm)	外径 Outer(mm)	弯曲半径 Bending(mm)	包装数量 Coil(m)
PA-10.0	6.5	10.0	13	100
PA-13.0	10.0	13.0	20	100
PA-15.8	12.0	15.8	35	100
PA-18.5	14.3	18.5	40	100
PA-21.2	17.0	21.2	45	100
PA-25.5	21.0	25.5	50	50
PA-28.5	23.0	28.5	55	50
PA-34.5	29.0	34.5	65	50
PA-42.5	36.0	42.5	90	25
PA-54.5	48.0	54.5	100	25

- 产品材质: 尼龙6
- 工作温度: -40°C~115°C
- 阻燃等级: HB(UL94)
- 防护等级: IP68
- 产品颜色: 黑色、灰色, 其他颜色可以根据需要而定。



- Type-PA
PA is used to protect the wire plastic tubing
- Material: Nylon 6
- Color: Black and gray, Other colors available upon request.
- Temperature: -40°C ~115°C
- Fire-retardant: HB(UL94)
- Protection Degree: IP68
- Properties or Applications:
Type-PA tubing free of halogen and phosphor, passed RoHS testing, surface gloss, high toughness, anti-distortion, high mechanical strength, oil-resistant, weak acid and alkaline resistance, etc, suitable for mechanical manufacture, electrical insulation, electrical automation control systems, air conditioning and refrigeration equipment, public transportation, subway electric locomotive. Passed RoHS

■ 阻燃尼龙软管 (FPA型)

Flame-retardant Nylon Tubing (TYPE FPA)

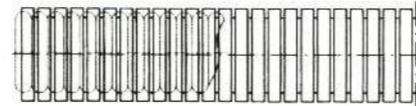
SONGYAM



FPA型软管 自熄灭性非常好, 完全满足高安全性要求, 不含卤素和磷, 表面有光泽, 高韧性, 抗扭曲, 机器强度高, 耐油, 耐碱, 耐弱酸等, 适用于: 机械设备, 电气绝缘保护, 空调制冷设备, 地铁, 电力机车等。
通过RoHS测试

型号 Type	内径 Inner(mm)	外径 Outer(mm)	弯曲半径 Bending(mm)	包装数量 Coil(m)
FPA-10.0	6.5	10.0	13	100
FPA-13.0	10.0	13.0	20	100
FPA-15.8	12.0	15.8	35	100
FPA-18.5	14.3	18.5	40	100
FPA-21.2	17.0	21.2	45	100
FPA-25.5	21.0	25.5	50	50
FPA-28.5	23.0	28.5	55	50
FPA-34.5	29.0	34.5	65	50
FPA-42.5	36.0	42.5	90	25
FPA-54.5	48.0	54.5	100	25

- 产品材质: 阻燃尼龙6
- 工作温度: -40°C~115°C
- 阻燃等级: V0(UL94)
- 防护等级: IP68
- 产品颜色: 黑色、灰色, 其他颜色可以根据需要而定。



□ Type-FPA

FPA is used to protect the wire plastic tubing

- Material: Flame-retardant nylon 6
- Color: Black and gray, Other colors available upon request.
- Temperature: -40°C~115°C
- Fire-retardant: V0(UL94)
- Protection Degree: IP68
- Properties or Applications:

Type-FPA tubing self extinguishing is very good, meet the safety requirements, free of halogen and phosphorus, passed RoHS testing, surface gloss, high toughness, anti-distortion, high mechanical strength, oil-resistant, weak acid and alkaline resistance, etc, suitable for mechanical manufacture, and equipment, electrical insulation, air conditioning and refrigeration equipment, subway, electric locomotives.

Passed RoHS

■ 阻燃聚丙烯软管 (FPP型)

Flame-retardant Polypropylene Tubing (TYPE FPP)

SONGYAM



FPP型软管 自熄灭性非常好, 完全满足高安全性要求, 不含卤素和磷, 耐油、耐酸碱、耐化学腐蚀性能好、机械强度高、广泛用于: 化工设备, 机械制造等。
通过RoHS测试

型号 Type	内径 Inner(mm)	外径 Outer(mm)	弯曲半径 Bending(mm)	包装数量 Coil(m)
FPP-10.0	6.5	10.0	13	100
FPP-13.0	10.0	13.0	20	100
FPP-15.8	12.0	15.8	35	100
FPP-18.5	14.3	18.5	40	100
FPP-21.2	17.0	21.2	45	100
FPP-25.5	21.0	25.5	50	50
FPP-28.5	23.0	28.5	55	50
FPP-34.5	29.0	34.5	65	50
FPP-42.5	36.0	42.5	90	25
FPP-54.5	48.0	54.5	100	25

- 产品材质: 阻燃聚丙烯
- 工作温度: -40°C~110°C
- 阻燃等级: V0(UL94)
- 防护等级: IP68
- 产品颜色: 黑色、灰色, 其他颜色可以根据需要而定。



□ Type-FPP

FPP is used to protect the wire plastic tubing

- Material: Flame-retardant polypropylene
- Color: Black and gray, Other colors available upon request.
- Temperature: -40°C~110°C
- Fire-retardant: V0(UL94)
- Protection Degree: IP68
- Properties or Applications:

Type-FPP tubing self extinguishing is very good, meet the safety requirements, free of halogen and phosphorus, passed RoHS testing, oil resistance, acid and alkaline resistance, good resistance to chemical corrosion, good mechanical strength, widely used for: chemical equipment, mechanical manufacture etc.

聚乙烯软管 (PE型)
Polyethylene Tubing (TYPE PE)

SONGYAM



PE型软管 不含卤素和磷, 有韧性, 抗扭曲, 机械强度高, 耐油, 耐碱, 耐弱酸等, 适用于: 机械制造, 电气绝缘保护, 电气自动化控制系统, 空调制冷设备等。通过RoHS测试

型号 Type	内径 Inner(mm)	外径 Outer(mm)	弯曲半径 Bending(mm)	包装数量 Coil(m)
PE-10.0	6.5	10.0	15	100
PE-13.0	10.0	13.0	20	100
PE-15.8	12.0	15.8	25	100
PE-18.5	14.3	18.5	35	100
PE-21.2	17.0	21.2	40	100
PE-25.5	21.0	25.5	42	50
PE-28.5	23.0	28.5	45	50
PE-34.5	29.0	34.5	55	50
PE-42.5	36.0	42.5	65	25
PE-54.5	48.0	54.5	80	25

- 产品材质: 聚乙烯
- 工作温度: -50°C~80°C
- 阻燃等级: HB(UL94)
- 防护等级: IP68
- 产品颜色: 黑色、灰色, 其他颜色可以根据需要而定。

- Type-PE
PE is used to protect the wire plastic tubing
- Material: Polyethylene
- Color: Black and gray, Other colors available upon request.
- Temperature: -50°C~80°C
- Fire-retardant: HB(UL94)
- Protection Degree: IP68
- Properties or Applications:

Type-PE tubing free of halogen and phosphorus, passed RoHS, toughness, anti-distortion, high mechanical strength, oil resistance, weak acid and alkaline resistance, etc, suitable for mechanical manufacture, electrical insulation, electrical automation control systems, air conditioning and refrigeration equipment.
Passed RoHS

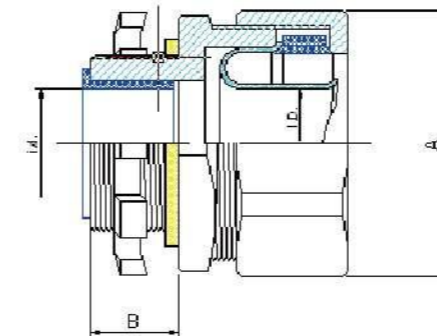


镀锌防水型外螺纹接头 (ZGSM型)
Liquidtight End Connector (TYPE ZGSM)

SONGYAM



TYPE ZGSM (外螺纹接头)



- 产品材质: 采用锌合金压铸而成, 表面镀锌或镀铬; TPE塑料, 改性橡胶
- 防护等级: IP66
- 产品性能: 防液体渗漏, 耐腐蚀, 机械强度高, 通过RoHS测试
- 适用范围: 适用于C型和W型防水金属软管于设备的连接

- Type-ZGSM
ZGSM is suitable for the liquidtight metallic conduit type C and type W.
- Material: Zinc alloy, zinc or chrome surface; TPE plastics, rubber modified
- Protection Degree: IP66
- Properties: Liquidtight, corrosion resistance, high mechanical strength, passed RoHS

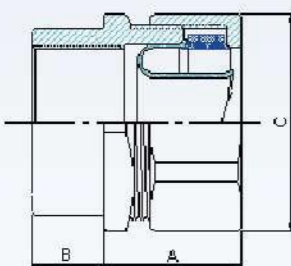
型号 Type	适配软管 For conduit size	螺纹 Thread size	螺纹 Thread size
ZGSM-6	3/16"	G1/4	M14*1.5
ZGSM-8	1/4"	G1/4	M16*1.5
ZGSM-10	5/16"	G5/16	M16*1.5
ZGSM-12	3/8"	G1/2	M20*1.5
ZGSM-16	1/2"	G1/2	M20*1.5
ZGSM-20	3/4"	G3/4	M25*1.5
ZGSM-25	1"	G1	M32*1.5(2)
ZGSM-32	1-1/4"	G1-1/4	M40*1.5(2)
ZGSM-38	1-1/2"	G1-1/2	M50*1.5(2)
ZGSM-51	2"	G2	M63*1.5(2)
ZGSM-64	2-1/2"	G2-1/2	M75*1.5(2)
ZGSM-75	3"	G3	M85*1.5(2)
ZGSM-100	4"	G4	M100*1.5(2)

型号 Type	适配软管 For conduit size	螺纹 Thread size	螺纹 Thread size
ZGSM-6	3/16"	NPT1/4	PG7
ZGSM-8	1/4"	NPT1/4	PG7
ZGSM-10	5/16"	NPT5/16	PG9
ZGSM-12	3/8"	NPT3/8	PG11/PG13.5
ZGSM-16	1/2"	NPT1/2	PG16/PG19
ZGSM-20	3/4"	NPT3/4	PG21
ZGSM-25	1"	NPT1	PG29
ZGSM-32	1-1/4"	NPT1-1/4	PG36
ZGSM-38	1-1/2"	NPT1-1/2	PG42
ZGSM-51	2"	NPT2	PG48
ZGSM-64	2-1/2"	NPT2-1/2	PG63
ZGSM-75	3"	NPT3	
ZGSM-100	4"	NPT4	

■ 锌制防水型内螺纹接头 (ZGSF型)
Liquidtight Internal Thread Connector (TYPE ZGSF)



TYPE ZGSF型 (内螺纹接头)



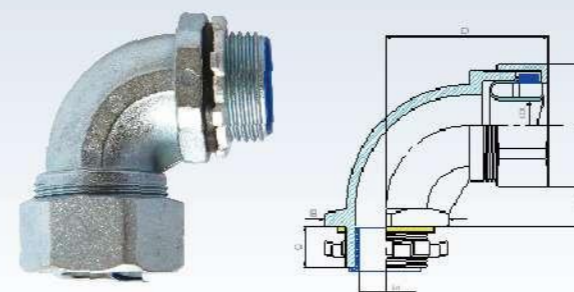
- 产品材质: 采用锌合金压铸而成, 表面镀锌或镀铬; TPE塑料, 改性橡胶
- 防护等级: IP66
- 产品性能: 防液体渗漏, 耐腐蚀, 机械强度高, 通过RoHS测试
- 适用范围: 适用于C型和W型防水金属软管于设备的连接

- Type-ZGSF
ZGSF is suitable for the liquidtight metallic conduit type C and type W .
- Material: Zinc alloy, zinc or chrome surface ; TPE plastics, rubber modified.
- Protection Degree: IP66
- Properties: Liquidtight , corrosion resistance,high mechanical strength, passed RoHS

型号 Type	适配软管 For conduit size	螺纹 Thread size	螺纹 Thread size
ZGSF-12	3/8"	G3/8	M20*1.5
ZGSF-16	1/2"	G1/2	M20*1.5
ZGSF-20	3/4"	G3/4	M25*1.5
ZGSF-25	1"	G1	M32*1.5(2)
ZGSF-32	1-1/4"	G1-1/4	M40*1.5(2)
ZGSF-38	1-1/2"	G1-1/2	M50*1.5(2)
ZGSF-51	2"	G2	M63*1.5(2)
ZGSF-64	2-1/2"	G2-1/2	M75*1.5(2)
ZGSF-75	3"	G3	M85*1.5(2)
ZGSF-100	4"	G4	M100*1.5(2)

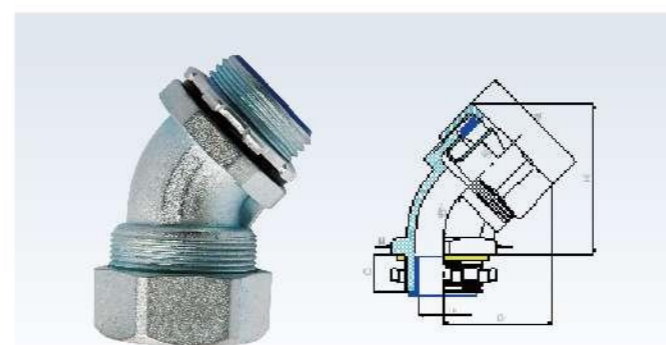
型号 Type	适配软管 For conduit size	螺纹 Thread size	螺纹 Thread size
ZGSF-12	3/8"	5/8"-24UNEF	3/4"-20UNEF
ZGSF-12	3/8"	7/8"-20UNEF	1"-20UNEF
ZGSF-12	3/8"	13/16"-18UNEF	
ZGSF-16	1/2"	1"-20UNEF	13/16"-18UNEF
ZGSF-16	1/2"	17/16"-18UNEF	
ZGSF-20	3/4"	13/16"-18UNEF	17/16"-18UNEF
ZGSF-25	1"	17/16"-18UNEF	
ZGSF-32	1-1/4"	1-3/4"-18UNEF	
ZGSF-38	1-1/2"	2"-18UNEF	

■ 锌制防水型弯接头 (ZGLM型/ZGHM型)
Liquidtight Metal Connector (TYPE ZGLM/TYPE ZGHM)



TYPE ZGLM (外螺纹接头90°)

- Type- ZGLM
ZGLM is suitable for the liquidtight metallic conduit type C and type W .
- Material: Zinc alloy, zinc or chrome surface ; TPE plastics, rubber modified .
- Protection Degree: IP66
- Properties: Liquidtight , corrosion resistance,high mechanical strength, passed RoHS



TYPE ZGHM (外螺纹接头45°)

- Type- ZGHM
ZGHM is suitable for the liquidtight metallic conduit type C and type W .
- Material: Zinc alloy, zinc or chrome surface ; TPE plastics, rubber modified
- Protection Degree: IP66
- Properties: Liquidtight , corrosion resistance,high mechanical strength, passed RoHS

- 产品材质: 采用锌合金压铸而成, 表面镀锌或镀铬; TPE塑料, 改性橡胶
- 防护等级: IP66
- 产品性能: 防液体渗漏, 耐腐蚀, 机械强度高, 通过RoHS测试
- 适用范围: 适用于C型和W型防水金属软管于设备的连接

型号 Type	适配软管 For conduit size	螺纹 Thread size
ZGLM-12	3/8"	G1/2
ZGLM-16	1/2"	G1/2
ZGLM-20	3/4"	G3/4
ZGLM-25	1"	G1
ZGLM-32	1-1/4"	G1-1/4
ZGLM-38	1-1/2"	G1-1/2
ZGLM-51	2"	G2
ZGLM-64	2-1/2"	G2-1/2
ZGLM-75	3"	G3
ZGLM-100	4"	G4

- 产品材质: 采用锌合金压铸而成, 表面镀锌或镀铬; TPE塑料, 改性橡胶
- 防护等级: IP66
- 产品性能: 防液体渗漏, 耐腐蚀, 机械强度高, 通过RoHS测试
- 适用范围: 适用于C型和W型防水金属软管于设备的连接

型号 Type	适配软管 For conduit size	螺纹 Thread size
ZGHM-12	3/8"	G1/2
ZGHM-16	1/2"	G1/2
ZGHM-20	3/4"	G3/4
ZGHM-25	1"	G1
ZGHM-32	1-1/4"	G1-1/4
ZGHM-38	1-1/2"	G1-1/2
ZGHM-51	2"	G2
ZGHM-64	2-1/2"	G2-1/2
ZGHM-75	3"	G3
ZGHM-100	4"	G4

■ 锌制防水型卡套式 自固式接头 (ZGSP型/ZGSK型)
Liquidtight Butt Connector (TYPE ZGSP/TYPE ZGSK)



TYPE ZGSP (卡套式接头)

Type ZGSP

ZGSP is suitable for the connection of type C and type W liquidtight metal conduits to the steel conduit or EMT conduit

Material: Zinc alloy, zinc or chrome surface ; TPE plastics, rubber modified

Protection Degree: IP66

Properties: Liquidtight , corrosion resistance,high mechanical strength, passed RoHS

- 产品材质: 采用锌合金压铸而成, 表面镀锌或镀铬; TPE塑料, 改性橡胶
- 防护等级: IP66
- 产品性能: 防液体渗漏, 耐腐蚀, 机械强度高, 通过RoHS测试
- 适用范围: 适用于C型和W型防水金属软管于钢管的连接

型号 Type	适配软管 For conduit size	适配钢管 For steel conduit size	适配钢管 For steel conduit size
ZGSP-12	3/8"	17.00	15.87
ZGSP-16	1/2"	21.25	19.05
ZGSP-20	3/4"	26.75	25.40
ZGSP-25	1"	33.50	31.75
ZGSP-32	1-1/4"	42.25	38.10
ZGSP-38	1-1/2"	48.00	50.80
ZGSP-51	2"	60.00	63.50
ZGSP-64	2-1/2"	75.50	76.20
ZGSP-75	3"	88.50	
ZGSP-100	4"	114.00	



TYPE-ZGSK (自固式接头)

Type-ZGSK

ZGSK is suitable for the connection of type C and type W liquidtight metal conduits to the steel conduit

Material: Zinc alloy, zinc or chrome surface ; TPE plastics, rubber modified

Protection Degree: IP66

Properties: Liquidtight, corrosion resistance,high mechanical strength.

Passed RoHS

- 产品材质: 采用锌合金压铸而成, 表面镀锌或镀铬; TPE塑料, 改性橡胶
- 防护等级: IP66
- 产品性能: 防液体渗漏, 耐腐蚀, 机械强度高, 通过RoHS测试
- 适用范围: 适用于C型和W型防水金属软管于钢管的连接

型号 Type	适配软管 For conduit size	适配钢管 For steel conduit size
ZGSK-12	3/8"	17.00
ZGSK-16	1/2"	21.25
ZGSK-20	3/4"	26.75
ZGSK-25	1"	33.50
ZGSK-32	1-1/4"	42.25
ZGSK-38	1-1/2"	48.00
ZGSK-51	2"	60.00
ZGSK-64	2-1/2"	75.50
ZGSK-75	3"	88.50
ZGSK-100	4"	114.00

■ 美标锌制防水型金属接头 (ZGSD型/ZGLD型)
Liquidtight Metal Connector (TYPE ZGSD/TYPE ZGLD)



TYPE ZGSD (外螺纹接头)

Type- ZGSD

ZGSD is suitable for the liquidtight metallic conduit type C and type W

Material: Zinc alloy, zinc surface ; TPE plastics

Protection Degree: IP66

Properties: Liquidtight, corrosion resistance,high mechanical strength.

Passed RoHS

- 产品材质: 采用锌合金压铸而成, 表面镀锌; TPE塑料。
- 防护等级: IP66
- 产品性能: 防液体渗漏, 耐腐蚀, 机械强度高, 通过RoHS测试
- 适用范围: 适用于C型和W型防水金属软管于设备的连接

型号 Type	适配软管 For conduit size	螺纹 Thread size
ZGSD-12	3/8"	NPT1/2
ZGSD-16	1/2"	NPT1/2
ZGSD-20	3/4"	NPT3/4
ZGSD-25	1"	NPT1
ZGSD-32	1-1/4"	NPT1-1/4
ZGSD-38	1-1/2"	NPT1-1/2
ZGSD-51	2"	NPT2
ZGSD-64	2-1/2"	NPT2-1/2
ZGSD-75	3"	NPT3
ZGSD-100	4"	NPT4



TYPE ZGLD型 (外螺纹接头90°)

Type-ZGLD

ZGLD is suitable for the liquidtight metallic conduit type C and type W

Material: Zinc alloy, zinc surface ; TPE plastics

Protection Degree: IP66

Properties: Liquidtight, corrosion resistance,high mechanical strength.

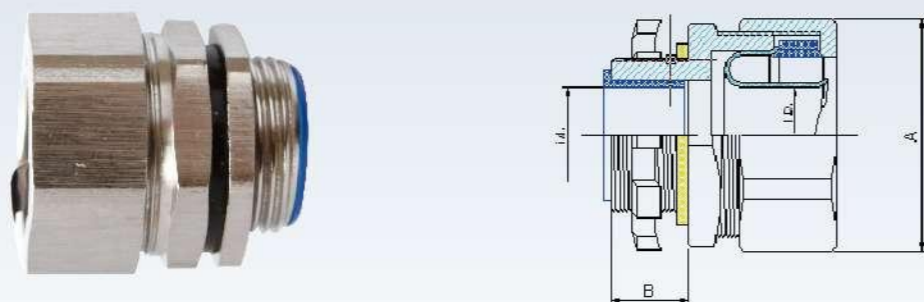
Passed RoHS

- 产品材质: 采用锌合金压铸而成, 表面镀锌; TPE塑料。
- 防护等级: IP66
- 产品性能: 防液体渗漏, 耐腐蚀, 机械强度高, 通过RoHS测试
- 适用范围: 适用于C型和W型防水金属软管于设备的连接

型号 Type	适配软管 For conduit size	螺纹 Thread size
ZGLD-12	3/8"	NPT1/2
ZGLD-16	1/2"	NPT1/2
ZGLD-20	3/4"	NPT3/4
ZGLD-25	1"	NPT1
ZGLD-32	1-1/4"	NPT1-1/4
ZGLD-38	1-1/2"	NPT1-1/2
ZGLD-51	2"	NPT2
ZGLD-64	2-1/2"	NPT2-1/2
ZGLD-75	3"	NPT3
ZGLD-100	4"	NPT4

铜制防水型外螺纹接头(BSM型)
Liquidtight End Connector (TYPE BSM)

SONGYAM



TYPE BSM (外螺纹接头)

- 产品材质: 采用黄铜加工, 表面镀镍; TPE塑料, 改性橡胶;
- 防护等级: IP66
- 产品性能: 防液体渗漏, 耐腐蚀, 机械强度高, 通过RoHS测试
- 适用范围: 适用于C型和W型防水金属软管于设备的连接

Type-BSM

BSM is suitable for the liquidtight metallic conduit type C and type W.

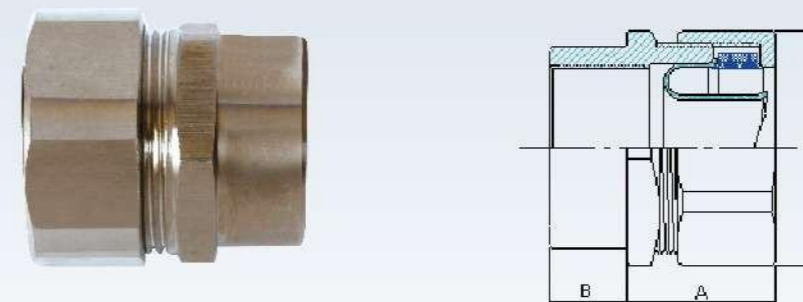
- Material: Brass, nickel surface ; TPE plastics, rubber modified
- Protection Degree: IP66
- Properties: Liquidtight , corrosion resistance,high mechanical strength.
Passed RoHS

型号 Type	适配软管 For conduit size	螺纹 Thread size	螺纹 Thread size
BSM-8	1/4"	G1/4	M16*1.5
BSM-10	5/16"	G5/16	M16*1.5
BSM-12	3/8"	G3/8	M20*1.5
BSM-16	1/2"	G1/2	M20*1.5
BSM-20	3/4"	G3/4	M25*1.5
BSM-25	1"	G1	M32*1.5(2)
BSM-32	1-1/4"	G1-1/4	M40*1.5(2)
BSM-38	1-1/2"	G1-1/2	M50*1.5(2)
BSM-51	2"	G2	M63*1.5(2)
BSM-64	2-1/2"	G2-1/2	M75*1.5(2)
BSM-75	3"	G3	M85*1.5(2)
BSM-100	4"	G4	M100*1.5(2)

型号 Type	适配软管 For conduit size	螺纹 Thread size	螺纹 Thread size
BSM-8	1/4"	NPT1/4	PG7
BSM-10	5/16"	NPT5/16	PG9
BSM-12	3/8"	NPT3/8	PG11/PG13.5
BSM-16	1/2"	NPT1/2	PG16/PG19
BSM-20	3/4"	NPT3/4	PG21
BSM-25	1"	NPT1	PG29
BSM-32	1-1/4"	NPT1-1/4	PG36
BSM-38	1-1/2"	NPT1-1/2	PG42
BSM-51	2"	NPT2	PG48
BSM-64	2-1/2"	NPT2-1/2	PG63
BSM-75	3"	NPT3	
BSM-100	4"	NPT4	

铜制防水型内螺纹接头(BSF型)
Liquidtight Internal Thread Connector (TYPE BSF)

SONGYAM



TYPE BSF型 (内螺纹接头)

- 产品材质: 采用黄铜加工, 表面镀镍; TPE塑料, 改性橡胶
- 防护等级: IP66
- 产品性能: 防液体渗漏, 耐腐蚀, 机械强度高, 通过RoHS测试
- 适用范围: 适用于C型和W型防水金属软管于设备的连接

Type-BSF

BSF is suitable for the liquidtight metallic conduit type C and type W.

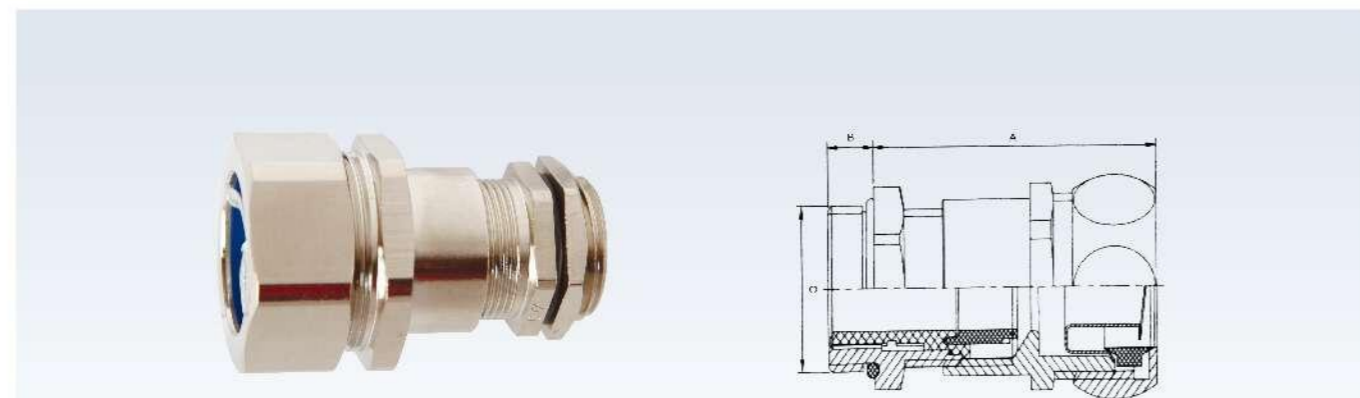
- Material: Brass,nickel surface,TPE plastics; rubber modified.
- Protection Degree: IP66
- Properties: Liquidtight , corrosion resistance,high mechanical strength.
Passed RoHS

型号 Type	适配软管 For conduit size	螺纹 Thread size	螺纹 Thread size
BSF-12	3/8"	G3/8	M20*1.5
BSF-16	1/2"	G1/2	M20*1.5
BSF-20	3/4"	G3/4	M25*1.5
BSF-25	1"	G1	M32*1.5(2)
BSF-32	1-1/4"	G1-1/4	M40*1.5(2)
BSF-38	1-1/2"	G1-1/2	M50*1.5(2)
BSF-51	2"	G2	M63*1.5(2)
BSF-64	2-1/2"	G2-1/2	M75*1.5(2)
BSF-75	3"	G3	M85*1.5(2)
BSF-100	4"	G4	M100*1.5(2)

型号 Type	适配软管 For conduit size	螺纹 Thread size	螺纹 Thread size
BSF-12	3/8"	5/8"-24UNEF	3/4"-20UNEF
BSF-12	3/8"	7/8"-20UNEF	1"-20UNEF
BSF-12	3/8"	13/16"-18UNEF	
BSF-16	1/2"	1"-20UNEF	13/16"-18UNEF
BSF-16	1/2"	17/16"-18UNEF	
BSF-20	3/4"	13/16"-18UNEF	17/16"-18UNEF
BSF-25	1"	17/16"-18UNEF	
BSF-32	1-1/4"	1-3/4"-18UNEF	
BSF-38	1-1/2"	2"-18UNEF	

■ 铜制防水型锁紧式接头(BSL型)
Liquidtight End Connector (TYPE BSL)

SONGYAM



TYPE BSL (锁紧式接头)

- 产品材质: 采用黄铜加工, 表面镀镍; TPE塑料, 改性橡胶
- 防护等级: IP66
- 产品性能: 锁紧电缆防液体渗漏, 耐腐蚀, 机械强度高, 通过RoHS测试
- 适用范围: 适用于C型和W型防水金属软管于设备的连接

Type-BSL

BSL is suitable for the liquidtight metallic conduit type C and type W.

- Material: Brass, nickel surface ; TPE plastics, rubber modified.
- Protection Degree: IP66
- Properties: Locking cable , liquidtight , corrosion resistance,high mechanical strength. Passed RoHS

型号 Type	适配软管 For conduit size	螺纹 Thread size	螺纹 Thread size
BSL-10	5/16"	G5/16	M16*1.5
BSL-12	3/8"	G3/8	M20*1.5
BSL-16	1/2"	G1/2	M20*1.5
BSL-20	3/4"	G3/4	M25*1.5
BSL-25	1"	G1	M32*1.5(2)
BSL-32	1-1/4"	G1-1/4	M40*1.5(2)
BSL-38	1-1/2"	G1-1/2	M50*1.5(2)
BSL-51	2"	G2	M63*1.5(2)
BSL-64	2-1/2"	G2-1/2	M75*1.5(2)
BSL-75	3"	G3	M85*1.5(2)
BSL-100	4"	G4	M100*1.5(2)

型号 Type	适配软管 For conduit size	螺纹 Thread size	螺纹 Thread size
BSL-10	5/16"	NPT5/16	PG9
BSL-12	3/8"	NPT3/8	PG11/PG13.5
BSL-16	1/2"	NPT1/2	PG16/PG19
BSL-20	3/4"	NPT3/4	PG21
BSL-25	1"	NPT1	PG29
BSL-32	1-1/4"	NPT1-1/4	PG36
BSL-38	1-1/2"	NPT1-1/2	PG42
BSL-51	2"	NPT2	PG48
BSL-64	2-1/2"	NPT2-1/2	PG63
BSL-75	3"	NPT3	
BSL-100	4"	NPT4	

■ 不锈钢防水型外螺纹接头(SSM型)
Liquidtight End Connector (TYPE SSM)

SONGYAM



TYPE SSM-A (外螺纹接头)

TYPE SSM-B (外螺纹接头)

- 产品材质: 采用不锈钢304加工, TPE塑料, 改性橡胶;
- 防护等级: IP66
- 产品性能: 防液体渗漏, 耐腐蚀, 机械强度高, 通过RoHS测试
- 适用范围: 适用于C型和W型防水金属软管于设备的连接

Type-SSM

SSM is suitable for the liquidtight metallic conduit type C and type W.

- Material: 304 Stainless steel; TPE plastics, rubber modified
- Protection Degree: IP66
- Properties: Liquidtight , corrosion resistance,high mechanical strength. Passed RoHS

型号 Type	适配软管 For conduit size	螺纹 Thread size	螺纹 Thread size
SSM-8	1/4"	G1/4	M16*1.5
SSM-10	5/16"	G5/16	M16*1.5
SSM-12	3/8"	G3/8	M20*1.5
SSM-16	1/2"	G1/2	M20*1.5
SSM-20	3/4"	G3/4	M25*1.5
SSM-25	1"	G1	M32*1.5(2)
SSM-32	1-1/4"	G1-1/4	M40*1.5(2)
SSM-38	1-1/2"	G1-1/2	M50*1.5(2)
SSM-51	2"	G2	M63*1.5(2)
SSM-64	2-1/2"	G2-1/2	M75*1.5(2)
SSM-75	3"	G3	M85*1.5(2)
SSM-100	4"	G4	M100*1.5(2)

型号 Type	适配软管 For conduit size	螺纹 Thread size	螺纹 Thread size
SSM-8	1/4"	NPT1/4	PG7
SSM-10	5/16"	NPT5/16	PG9
SSM-12	3/8"	NPT3/8	PG11/PG13.5
SSM-16	1/2"	NPT1/2	PG16PG19
SSM-20	3/4"	NPT3/4	PG21
SSM-25	1"	NPT1	PG29
SSM-32	1-1/4"	NPT1-1/4	PG36
SSM-38	1-1/2"	NPT1-1/2	PG42
SSM-51	2"	NPT2	PG48
SSM-64	2-1/2"	NPT2-1/2	PG63
SSM-75	3"	NPT3	
SSM-100	4"	NPT4	

■ 不锈钢防水型内螺纹接头(SSF型)
Liquidtight Internal Thread Connector (TYPE SSF)

SONGYAM



TYPE SSF-A型 (内螺纹接头)

TYPE SSF-B型 (内螺纹接头)

- 产品材质: 采用不锈钢304加工, TPE塑料, 改性橡胶;
- 防护等级: IP66
- 产品性能: 防液体渗漏, 耐腐蚀, 机械强度高, 通过RoHS测试
- 适用范围: 适用于C型和W型防水金属软管于设备的连接

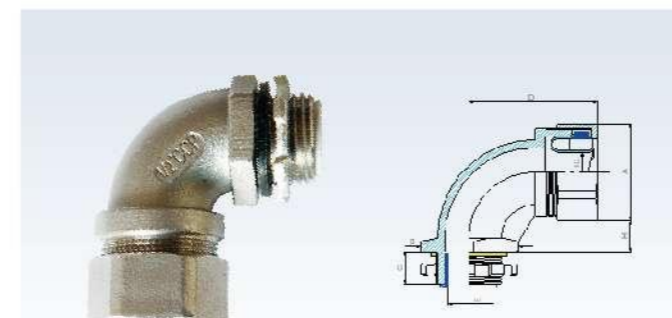
型号 Type	适配软管 For conduit size	螺纹 Thread size	螺纹 Thread size
SSF-12	3/8"	G3/8	M20*1.5
SSF-16	1/2"	G1/2	M20*1.5
SSF-20	3/4"	G3/4	M25*1.5
SSF-25	1"	G1	M32*1.5(2)
SSF-32	1-1/4"	G1-1/4	M40*1.5(2)
SSF-38	1-1/2"	G1-1/2	M50*1.5(2)
SSF-51	2"	G2	M63*1.5(2)
SSF-64	2-1/2"	G2-1/2	M75*1.5(2)
SSF-75	3"	G3	M85*1.5(2)
SSF-100	4"	G4	M100*1.5(2)

- Type-SSF
SSF is suitable for the liquidtight metallic conduit type C and type W
- Material: 304 stainless steel; TPE plastics, rubber modified
- Protection Degree: IP66
- Properties: Liquidtight, corrosion resistance, high mechanical strength.
Passed RoHS

型号 Type	适配软管 For conduit size	螺纹 Thread size	螺纹 Thread size
SSF-12	3/8"	5/8"-24UNEF	3/4"-20UNEF
SSF-12	3/8"	7/8"-20UNEF	1"-20UNEF
SSF-12	3/8"	13/16"-18UNEF	
SSF-16	1/2"	1"-20UNEF	13/16"-18UNEF
SSF-16	1/2"	17/16"-18UNEF	
SSF-20	3/4"	13/16"-18UNEF	17/16"-18UNEF
SSF-25	1"	17/16"-18UNEF	
SSF-32	1-1/4"	1-3/4"-18UNEF	
SSF-38	1-1/2"	2"-18UNEF	

■ 不锈钢防水型弯接头(SLM型/SHM型)
Liquidtight Metal Connector (TYPE SLM/TYPE SHM)

SONGYAM

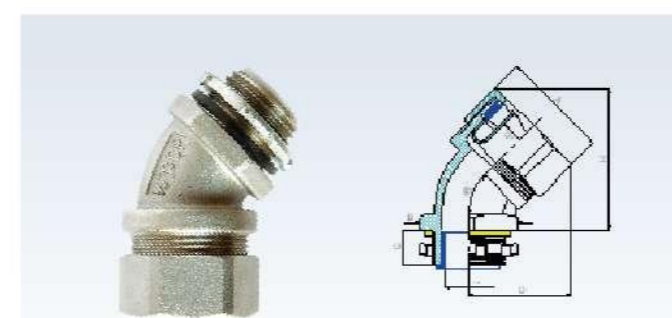


TYPE SLM (外螺纹接头90°)

- Type- SLM
SLM is suitable for the liquidtight metallic conduit type C and type W.
- Material: 304 Stainless steel; TPE plastics, rubber modified
- Protection Degree: IP66
- Properties: Liquidtight, corrosion resistance, high mechanical strength.
Passed RoHS

- 产品材质: 采用不锈钢304加工, TPE塑料, 改性橡胶;
- 防护等级: IP66
- 产品性能: 防液体渗漏, 耐腐蚀, 机械强度高, 通过RoHS测试
- 适用范围: 适用于C型和W型防水金属软管于设备的连接

型号 Type	适配软管 For conduit size	螺纹 Thread size
SLM-12	3/8"	G1/2
SLM-16	1/2"	G1/2
SLM-20	3/4"	G3/4
SLM-25	1"	G1
SLM-32	1-1/4"	G1-1/4
SLM-38	1-1/2"	G1-1/2
SLM-51	2"	G2
SLM-64	2-1/2"	G2-1/2
SLM-75	3"	G3
SLM-100	4"	G4



TYPE SHM (外螺纹接头45°)

- Type-SHM
SHM is suitable for the liquidtight metallic conduit type C and type W
- Material: 304 Stainless steel; TPE plastics, rubber modified
- Protection Degree: IP66
- Properties: Liquidtight, corrosion resistance, high mechanical strength.
Passed RoHS

- 产品材质: 采用不锈钢304加工, TPE塑料, 改性橡胶
- 防护等级: IP66
- 产品性能: 防液体渗漏, 耐腐蚀, 机械强度高, 通过RoHS测试
- 适用范围: 适用于C型和W型防水金属软管于设备的连接

型号 Type	适配软管 For conduit size	螺纹 Thread size
SHM-12	3/8"	G1/2
SHM-16	1/2"	G1/2
SHM-20	3/4"	G3/4
SHM-25	1"	G1
SHM-32	1-1/4"	G1-1/4
SHM-38	1-1/2"	G1-1/2
SHM-51	2"	G2
SHM-64	2-1/2"	G2-1/2
SHM-75	3"	G3
SHM-100	4"	G4

■ 尼龙快速接头(NQSM型)
Nylon Connector (TYPE NQSM)

SONGYAM



- 产品材质: 采用尼龙制成
 - 防护等级: IP66
 - 产品性能: 耐腐蚀, 机械强度高, 通过RoHS测试
 - 适用范围: 适用于P型塑料波纹管于设备的连接
- Type-NQSM
NQSM nonmetallic connector is suitable for the nonmetallic connector type P.
 - Material: Nylon
 - Protection Degree: IP66
 - Properties: Corrosion resistance, high mechanical strength, passed RoHS

NQSM-M (尼龙快速接头)
TYPE NQSM-M

型号 Type	适配软管 For conduit size	螺纹 Thread size
NQSM-AD10.0 M	AD-10.0	M10*1/M12*1.5/M16*1.5
NQSM-AD13.0 M	AD-13.0	M12*1.5/M16*1.5/M18*1.5/M20*1.5
NQSM-AD15.8 M	AD-15.8	M16*1.5/M18*1.5/M20*1.5
NQSM-AD18.5 M	AD-18.5	M18*1.5/M20*1.5
NQSM-AD21.2 M	AD-21.2	M20*1.5/M22*1.5/M24*1.5/M25*1.5/M30*2
NQSM-AD25.5 M	AD-25.5	M25*1.5
NQSM-AD28.5 M	AD-28.5	M25*1.5/M27*1.5/M27*2/M30*2/M32*1.5/M32*2
NQSM-AD34.5 M	AD-34.5	M25*1.5/M32*1.5/M32*2/M33*2/M36*2/M40*1.5
NQSM-AD42.5 M	AD-42.5	M40*1.5/M42*1.5/M48*2/M50*1.5
NQSM-AD54.5 M	AD-54.5	M50*1.5/M56*2/M63*1.5/M64*2



■ 尼龙快速接头(NQSM型)
Nylon Connector (TYPE NQSM)

SONGYAM



- 产品材质: 采用尼龙制成
 - 防护等级: IP66
 - 产品性能: 防液体渗漏, 耐腐蚀, 机械强度高, 通过RoHS测试
 - 适用范围: 适用于P型塑料波纹管于设备的连接
- Type-NQSM
NQSM nonmetallic connector is suitable for the nonmetallic connector type P.
 - Material: Nylon
 - Protection Degree: IP66
 - Properties: Corrosion resistance, high mechanical strength, passed RoHS

NQSM-P (尼龙快速接头)
TYPE NQSM-P

型号 Type	适配软管 For conduit size	螺纹 Thread size
NQSM-AD10.0 P	AD10.0	PG7
NQSM-AD13.0 P	AD13.0	PG7/PG9/PG11/PG13.5
NQSM-AD15.8 P	AD15.8	PG11/PG13.5
NQSM-AD18.5 P	AD18.5	PG13.5
NQSM-AD21.2 P	AD21.2	PG13.5/PG16
NQSM-AD25.5 P	AD25.5	PG21
NQSM-AD28.5 P	AD28.5	PG21
NQSM-AD34.5 P	AD34.5	PG29
NQSM-AD42.5 P	AD42.5	PG36
NQSM-AD54.5 P	AD54.5	PG42/PG48

NQSM-G (尼龙快速接头)
TYPE NQSM-G

型号 Type	适配软管 For conduit size	螺纹 Thread size
NQSM-AD10.0 G	AD10.0	G1/4
NQSM-AD13.0 G	AD13.0	G3/8
NQSM-AD15.8 G	AD15.8	G3/8 G1/2
NQSM-AD18.5 G	AD18.5	G1/2
NQSM-AD21.2 G	AD21.2	G1/2
NQSM-AD25.5 G	AD25.5	
NQSM-AD28.5 G	AD28.5	G3/4
NQSM-AD34.5 G	AD34.5	G1
NQSM-AD42.5 G	AD42.5	G1-1/4 G1-1/2
NQSM-AD54.5 G	AD54.5	G2

■ 尼龙防水接头 (NWSM型)
Liquidtight Nylon Connector(TYPE NWSM)

SONGYAM



- 产品材质: 采用尼龙制成
 - 防护等级: IP66
 - 产品性能: 防液体渗漏、耐腐蚀, 机械强度高, 通过RoHS测试
 - 适用范围: 适用于P型塑料波纹管于设备的连接
- Type-NWSM
NWSM nonmetallic connector is suitable for the nonmetallic connector type P.
- Material: Nylon
- Protection Degree: IP66
- Properties: : Liquidtight ,corrosion resistance,high mechanical strength, passed RoHS

NWSM-M (尼龙防水接头)
TYPE NWSM-M

型号 Type	适配软管 For conduit size	螺纹 Thread size
NWSM-AD10.0 M	AD-10.0	M12*1.5/ M16*1.5
NWSM-AD13.0 M	AD-13.0	M16*1.5
NWSM-AD15.8 M	AD-15.8	M16*1.5/M20*1.5/M22*1.5
NWSM-AD18.5 M	AD-18.5	M20*1.5/M20*1.5/M22*1.5
NWSM-AD21.2 M	AD-21.2	M20*1.5/M25*1.5
NWSM-AD25.5 M	AD-25.5	M25*1.5
NWSM-AD28.5 M	AD-28.5	M25*1.5
NWSM-AD34.5 M	AD-34.5	M32*1.5
NWSM-AD42.5 M	AD-42.5	M40*1.5/M50*1.5
NWSM-AD54.5 M	AD-54.5	M50*1.5/M63*1.5



■ 尼龙防水接头 (NWSM型)
Liquidtight Nylon Connector(TYPE NWSM)

SONGYAM



- 产品材质: 采用尼龙制成
 - 防护等级: IP66
 - 产品性能: 防液体渗漏、耐腐蚀, 机械强度高, 通过RoHS测试
 - 适用范围: 适用于P型塑料波纹管于设备的连接
- Type-NWSM
NWSM nonmetallic connector is suitable for the nonmetallic connector type P.
- Material: Nylon
- Protection Degree: IP66
- Properties: : Liquidtight ,corrosion resistance,high mechanical strength, passed RoHS

NWSM-P (尼龙防水接头)
TYPE NWSM-P

型号 Type	适配软管 For conduit size	螺纹 Thread size
NWSM-AD10.0 P	AD10.0	PG7/PG9
NWSM-AD13.0 P	AD13.0	PG11
NWSM-AD15.8 P	AD15.8	PG13.5/PG16
NWSM-AD18.5 P	AD18.5	PG13.5/PG16
NWSM-AD21.2 P	AD21.2	PG16/ PG21
NWSM-AD25.5 P	AD25.5	PG21
NWSM-AD28.5 P	AD28.5	PG21
NWSM-AD34.5 P	AD34.5	PG29
NWSM-AD42.5 P	AD42.5	PG36/ PG42
NWSM-AD54.5 P	AD54.5	PG48

NWSM-PF (尼龙防水接头)
TYPE NWSM-PF

型号 Type	适配软管 For conduit size	螺纹 Thread size
NWSM-AD10.0 PF	AD10.0	PF1/4
NWSM-AD13.0 PF	AD13.0	PF3/8
NWSM-AD15.8 PF	AD15.8	PF1/2
NWSM-AD18.5 PF	AD18.5	PF1/2
NWSM-AD21.2 PF	AD21.2	PF1/2 PF3/4
NWSM-AD25.5 PF	AD25.5	PF3/4
NWSM-AD28.5 PF	AD28.5	PF3/4
NWSM-AD34.5 PF	AD34.5	PF1
NWSM-AD42.5 PF	AD42.5	PF1-1/4 PF1-1/2
NWSM-AD54.5 PF	AD54.5	PF2

尼龙快速弯接头 (NQLM型) Nylon Connector (TYPE NQLM)

SONGYAM



- 产品材质：采用尼龙制成
 - 防护等级：IP66
 - 产品性能：耐腐蚀，机械强度高，通过RoHS测试
- Type-NQLM
NQLM nonmetallic connector is suitable for the nonmetallic connector type P.
- Material: Nylon
- Protection Degree: IP66
- Properties: Corrosion resistance, high mechanical strength, passed RoHS

NQLM-P (尼龙快速接头) TYPE NQLM-P

型号 Type	适配软管 Conduit size	螺纹 Thread size
NQLM-AD10.0 P	AD10.0	PG7
NQLM-AD13.0 P	AD13.0	PG9
NQLM-AD15.8 P	AD15.8	PG11
NQLM-AD18.5 P	AD18.5	PG13.5
NQLM-AD21.2 P	AD21.2	PG16
NQLM-AD25.5 P	AD25.5	
NQLM-AD28.5 P	AD28.5	PG21
NQLM-AD34.5 P	AD34.5	PG29
NQLM-AD42.5 P	AD42.5	PG36
NQLM-AD54.5 P	AD54.5	PG48

NQLM-M (尼龙快速接头) TYPE NQLM-M

型号 Type	适配软管 Conduit size	螺纹 Thread size
NQLM-AD10.0 M	AD10.0	M10*1/M12*1.5
NQLM-AD13.0 M	AD13.0	M12*1.5/M16*1.5
NQLM-AD15.8 M	AD15.8	M16*1.5/M18*1.5/M20*1.5
NQLM-AD18.5 M	AD18.5	M20*1.5/M25*1.5
NQLM-AD21.2 M	AD21.2	M16*1.5/M20*1.5/M24*1.5/M25*1.5
NQLM-AD25.5 M	AD25.5	M25*1.5
NQLM-AD28.5 M	AD28.5	M25*1.5/M27*2/M30*2/M32*1.5
NQLM-AD34.5 M	AD34.5	M32*1.5/M33*2/M36*2
NQLM-AD42.5 M	AD42.5	M40*1.5
NQLM-AD54.5 M	AD54.5	M50*1.5/M63*1.5

铜制电缆接头 (BCG 型) Metal Cable Gland (TYPE BCG)

SONGYAM



- 产品材质：采用黄铜加工，表面镀镍；TPE塑料，改性橡胶
 - 防护等级：IP68
 - 产品性能：固定线缆，防液体渗漏，耐腐蚀，机械强度高，通过RoHS测试
- Type-BCG
BCG is the connector which is used to secure the cable
- Material: Brass, nickel surface, TPE plastics, rubber modified
- Protection Degree: IP66
- Properties: Secure the cable, liquid tight, corrosion resistance, high mechanical strength, passed RoHS

TYPE BCG-G (铜制电缆接头)

型号 Type	螺纹规格 Thread size	卡口范围 Clamping range (mm)	螺纹长度 GL (mm)	扳手尺寸 Wrench size (mm)
BCG-G1/4	G1/4	3~7	6	14
BCG-G3/8	G3/8	4~8, 6~10	7, 7	18
BCG-G1/2	G1/2	8~12, 4~8, 10~14	8, 8, 8	22, 22, 24
BCG-G3/4	G3/4	13~18	8	30
BCG-G1	G1	15~22	9	36
BCG-G1-1/4	G1-1/4	22~30	10	45
BCG-G1-1/2	G1-1/2	25~32, 18~25	10, 10	50, 50
BCG-G2	G2	37~44	12	64
BCG-G2-1/2	G1-1/2	42~52	15	78
BCG-G3	G3	65~70	18	98

TYPE BCG-N (铜制电缆接头)

型号 Type	螺纹规格 Thread size	卡口范围 Clamping range (mm)	螺纹长度 GL (mm)	扳手尺寸 Wrench size (mm)
BCG-N1/4	NPT1/4	3~7	6	14
BCG-N3/8	NPT3/8	4~8, 6~10	7, 7	18
BCG-N1/2	NPT1/2	8~12, 4~8, 10~14	8, 8, 8	22, 22, 24
BCG-N3/4	NPT3/4	13~18	8	30
BCG-N1	NPT1	15~22	9	36
BCG-N1-1/4	NPT1-1/4	22~28	10	45
BCG-N1-1/2	NPT1-1/2	25~32, 18~25	10, 10	50, 50
BCG-N2	NPT2	37~44	12	64
BCG-N2-1/2	NPT1-1/2	42~52	15	78
BCG-N3	NPT3	65~70	18	98

铜制电缆接头(BCG型)

Metal Cable Gland (TYPE BCG)

SONGYAM



TYPE BCG(A)

TYPE BCG

- 产品材质: 采用黄铜加工, 表面镀镍; TPE塑料, 改性橡胶。
 - 防护等级: IP68
 - 产品性能: 固定线缆, 防液体渗漏, 耐腐蚀, 机械强度高。通过RoHS测试
- Type-SCG
SCG is the connector which is used to secure the cable
 - Material: Brass,nickel surface,TPE plastics, rubber modified .
 - Protection Degree: IP66
 - Properties: Secure the cable,liquidtight,corrosion resistance,high mechanical strength, passed RoHS

TYPE BCG-M (铜制电缆接头)

型号 Type	螺纹规格 Thread size	卡口范围 Clamping range (mm)	螺纹长度 GL (mm)	扳手尺寸 Wrench size (mm)
BCG-M8	M8×1.0	3-7	6	14
BCG-M10	M10×1.0	3-7	6	14
BCG-M12	M12×1.5	3-7	6	14
BCG-M14	M14×1.5	3-7	6	16
BCG-M16	M16×1.5	4-8、6-10	7	18、20
BCG-M18	M18×1.5	6-10	7	20
BCG-M20	M20×1.5	8-12、4-8、6-10、10-14	8、7、7、7	22、22、22、24
BCG-M22	M22×1.5	10-14、8-12	8、8	24、24
BCG-M24	M24×1.5	10-14	8	27
BCG-M25	M25×1.5	10-14、10-16、13-18	8、8、8	27、28、30
BCG-M27	M27×1.5	13-18、10-16	8	30、30
BCG-M30	M30×1.5	13-18、10-16、15-20	8、8、8	34、34、34
BCG-M32	M32×1.5	15-22、13-18、18-25	9、8、9	34、34、40
BCG-M33	M33×1.5	15-22	9	36
BCG-M36	M36×1.5	18-25、15-22	9	40、40
BCG-M37	M37×1.5	18-25	9	40
BCG-M40	M40×1.5	22-28、18-25、22-30、25-32	9、9、10、10	43、43、45、50
BCG-M42	M42×1.5	22-28	9	45
BCG-M48	M48×1.5	25-32	10	52
BCG-M50	M50×1.5	25-32、32-38	10、12	55、58
BCG-M54	M54×1.5	32-38	12	58
BCG-M56	M56×1.5	32-38	12	58
BCG-M60	M60×1.5	37-44	12	64
BCG-M63	M63×1.5	37-44、42-53	12、15	68、78
BCG-M64	M64×1.5	37-44	12	68
BCG-M72	M72×1.5	42-52	15	78
BCG-M75	M75×1.5	42-52	15	78
BCG-M76	M76×1.5	42-52	15	78
BCG-M80	M80×1.5	55-60	17	88
BCG-M85	M85×1.5	65-70	98	17/18
BCG-M88	M88×1.5	65-70	98	40/43
BCG-M100	M100×1.5	75-80	110	43

铜制电缆接头(BCG型)

Metal Cable Gland (TYPE BCG)

SONGYAM



TYPE BCG(A)

TYPE BCG

- 产品材质: 采用黄铜加工, 表面镀镍; TPE塑料, 改性橡胶。
 - 防护等级: IP68
 - 产品性能: 固定线缆, 防液体渗漏, 耐腐蚀, 机械强度高。通过RoHS测试
- Type-SCG
SCG is the connector which is used to secure the cable
 - Material: Brass,nickel surface,TPE plastics, rubber modified .
 - Protection Degree: IP66
 - Properties: Secure the cable,liquidtight,corrosion resistance,high mechanical strength, passed RoHS

TYPE BCG-P (铜制电缆接头)

型号 Type	螺纹规格 Thread size	卡口范围 Clamping range (mm)	螺纹长度 GL (mm)	扳手尺寸 Wrench size (mm)
BCG-P7	PG7	3~7,	6	14
BCG-P9	PG9	4~8、6~10,	7	17、20
BCG-P11	PG11	6~10	7	20
BCG-P13.5	PG13.5	8~12、4~8、6~10、10~14	8、8、7、8	22、22、22、24
BCG-P16	PG16	10~14、8~12	8、8	24、24
BCG-P19	PG19	10~14	8	27
BCG-P21	PG21	13~18、10~16	8、8	30、30
BCG-P25	PG25	15~22	9	34
BCG-P29	PG29	18~25	9	40
BCG-P36	PG36	25~32、18~25	10、10	50、50
BCG-P42	PG42	32~38	10	58
BCG-P48	PG48	37~44	12	64
BCG-P63	PG63	43~52	15	78

铜制防磁波电缆接头(BEG型) Emc Cable Gland (TYPE BEG)

SONGYAM



- 产品材质: 采用黄铜加工, 表面镀镍; TPE塑料, 改性橡胶
 - 防护等级: IP68
 - 产品性能: 防电磁干扰, 固定线缆, 防液体渗漏, 耐腐蚀, 机械强度高, 通过RoHS测试
- Type-BEG
BEG is used to secure the cable.
- Material: Brass, nickel surface ; TPE plastics, rubber modified
- Protection Degree: IP66
- Properties: EMC ,secure the cable , Liquidtight , corrosion resistance, high mechanical strength. Passed RoHS

TYPE BEG-M (铜制防磁波电缆接头)

型号 Type	螺纹规格 Thread size	卡口范围 Clamping range (mm)	螺纹长度 GL (mm)	扳手尺寸 Wrench size (mm)
BEG-M8	M8×1.25	2-3.8	5.5	13
BEG-M10	M10×1.5	3-6.5	6.5	14
BEG-M12S	M12×1.5	3-6.5	7.0	14
BEG-M12	M12×1.5	4-8	8.0	17
BEG-M16S	M16×1.5	4-8	9.0	18
BEG-M16	M16×1.5	5-10	9.0	22
BEG-M20S	M20×1.5	6-12	9.5	24
BEG-M20	M20×1.5	9-14	9.5	25
BEG-M25	M25×1.5	13-18	12.0	30
BEG-M32	M32×1.5	18-25	12.5	40
BEG-M40	M40×1.5	24-30	15.0	50
BEG-M50	M50×1.5	31-41	15.0	59
BEG-M63	M63×1.5	35-45	17.0	67

TYPE BEG-P (铜制防磁波电缆接头)

型号 Type	螺纹规格 Thread size	卡口范围 Clamping range (mm)	螺纹长度 GL (mm)	扳手尺寸 Wrench size (mm)
BEG-P7S	PG7S	3-6.5	7.0	14
BEG-P7	PG7	4-8	8.0	17
BEG-P9	PG9	4-8	8.0	18
BEG-P11	PG11	5-10	9.0	22
BEG-P13.5	PG13.5	6-12	9.5	24
BEG-P16	PG16	9-14	9.5	25
BEG-P21	PG21	13-18	12.0	30
BEG-P29	PG29	18-25	12.5	40
BEG-P36	PG36	24-30	15.0	50
BEG-P42	PG42	31-41	15.0	59
BEG-P48	PG48	35-45	17.0	67

不锈钢电缆接头(SCG型) Metal Cable Gland (TYPE SCG)

SONGYAM



- 产品材质: 采用不锈钢304加工, TPE塑料, 改性橡胶
 - 防护等级: IP68
 - 产品性能: 固定线缆, 防液体渗漏, 耐腐蚀, 机械强度高, 通过RoHS测试
- Type-SCG
SCG is the connector which is used to secure the cable
- Material: 304 stainless steel ; TPE plastics, rubber modified
- Protection Degree: IP66
- Properties: Secure the cable, liquidtight, corrosion resistance, high mechanical strength. Passed RoHS

TYPE SCG-G (不锈钢电缆接头)

型号 Type	螺纹规格 Thread size	卡口范围 Clamping range (mm)	螺纹长度 GL (mm)	扳手尺寸 Wrench size (mm)
SCG-G1/4	G1/4	3~7	6	14
SCG-G3/8	G3/8	4~8, 6~10	7, 7	18
SCG-G1/2	G1/2	8~12, 4~8, 10~14	8, 8, 8	22, 22, 24
SCG-G3/4	G3/4	13~18	8	30
SCG-G1	G1	15~22	9	36
SCG-G1-1/4	G1-1/4	22~30	10	45
SCG-G1-1/2	G1-1/2	25~32, 18~25	10, 10	50, 50
SCG-G2	G2	37~44	12	64
SCG-G2-1/2	G2-1/2	42~52	15	78
SCG-G3	G3	65~70	18	98

TYPE SCG-N (不锈钢电缆接头)

型号 Type	螺纹规格 Thread size	卡口范围 Clamping range (mm)	螺纹长度 GL (mm)	扳手尺寸 Wrench size (mm)
SCG-N1/4	NPT1/4	3~7	6	14
SCG-N3/8	NPT3/8	4~8, 6~10	7, 7	18
SCG-N1/2	NPT1/2	8~12, 4~8, 10~14	8, 8, 8	22, 22, 24
SCG-N3/4	NPT3/4	13~18	8	30
SCG-N1	NPT1	15~22	9	36
SCG-N1-1/4	NPT1-1/4	22~28	10	45
SCG-N1-1/2	NPT1-1/2	25~32, 18~25	10, 10	50, 50
SCG-N2	NPT2	37~44	12	64
SCG-N2-1/2	NPT2-1/2	42~52	15	78
SCG-N3	NPT3	65~70	18	98

■ 不锈钢电缆接头 (SCG型)

Metal Cable Gland (TYPE SCG)

SONGYAM



- 产品材质: 采用不锈钢304加工, TPE塑料, 改性橡胶
 - 防护等级: IP68
 - 产品性能: 固定线缆, 防液体渗漏, 耐腐蚀, 机械强度高, 通过RoHS测试
- Type-SCG
SCG is the connector which is used to secure the cable
- Material: 304 stainless steel ; TPE plastics, rubber modified
- Protection Degree: IP66
- Properties: Secure the cable, liquidtight, corrosion resistance, high mechanical strength. Passed RoHS

TYPE SCG-M (不锈钢电缆接头)

型号 Type	螺纹规格 Thread size	卡口范围 Clamping range (mm)	螺纹长度 GL (mm)	扳手尺寸 Wrench size (mm)
SCG-M8	M8×1.0	3-7	6	14
SCG-M10	M10×1.0	3-7	6	14
SCG-M12	M12×1.5	3-7	6	14
SCG-M14	M14×1.5	3-7	6	16
SCG-M16	M16×1.5	4-8、6-10	7	18、20
SCG-M18	M18×1.5	6-10	7	20
SCG-M20	M20×1.5	8-12、4-8、6-10、10-14	8、7、7、7	22、22、22、24
SCG-M22	M22×1.5	10-14、8-12	8、8	24、24
SCG-M24	M24×1.5	10-14	8	27
SCG-M25	M25×1.5	10-14、10-16、13-18	8、8、8	27、28、30
SCG-M27	M27×1.5	13-18、10-16	8	30、30
SCG-M30	M30×1.5	13-18、10-16、15-20	8、8、8	34、34、34
SCG-M32	M32×1.5	15-22、13-18、18-25	9、8、9	34、34、40
SCG-M33	M33×1.5	15-22	9	36
SCG-M36	M36×1.5	18-25、15-22	9	40、40
SCG-M37	M37×1.5	18-25	9	40
SCG-M40	M40×1.5	22-28、18-25、22-30、25-32	9、9、10、10	43、43、45、50
SCG-M42	M42×1.5	22-28	9	45
SCG-M48	M48×1.5	25-32	10	52
SCG-M50	M50×1.5	25-32、32-38	10、12	55、58
SCG-M54	M54×1.5	32-38	12	58
SCG-M56	M56×1.5	32-38	12	58
SCG-M60	M60×1.5	37-44	12	64
SCG-M63	M63×1.5	37-44、42-53	12、15	68、78
SCG-M64	M64×1.5	37-44	12	68
SCG-M72	M72×1.5	42-52	15	78
SCG-M75	M75×1.5	42-52	15	78
SCG-M76	M76×1.5	42-52	15	78
SCG-M80	M80×1.5	55-60	17	88
SCG-M85	M85×1.5	65-70	98	17/18
SCG-M88	M88×1.5	65-70	98	40/43
SCG-M100	M100×1.5	75-80	110	43

■ 不锈钢电缆接头 (SCG型)

Metal Cable Gland (TYPE SCG)

SONGYAM



- 产品材质: 采用不锈钢304加工, TPE塑料, 改性橡胶
 - 防护等级: IP68
 - 产品性能: 固定线缆, 防液体渗漏, 耐腐蚀, 机械强度高, 通过RoHS测试
- Type-SCG
SCG is the connector which is used to secure the cable
- Material: 304 stainless steel ; TPE plastics, rubber modified
- Protection Degree: IP66
- Properties: Secure the cable, liquidtight, corrosion resistance, high mechanical strength. Passed RoHS

TYPE SCG-P (不锈钢电缆接头)

型号 Type	螺纹规格 Thread size	卡口范围 Clamping range (mm)	螺纹长度 GL (mm)	扳手尺寸 Wrench size (mm)
SCG-P7	PG7	3-7	6	14
SCG-P9	PG9	4-8、6-10	7	17、20
SCG-P11	PG11	6-10	7	20
SCG-P13.5	PG13.5	8-12、4-8、6-10、10-14	8、8、7、8	22、22、22、24
SCG-P16	PG16	10-14、8-12	8、8	24、24
SCG-P19	PG19	10-14	8	27
SCG-P21	PG21	13-18、10-16	8、8	30、30
SCG-P25	PG25	15-22	9	34
SCG-P29	PG29	18-25	9	40
SCG-P36	PG36	25-32、18-25	10、10	50、50
SCG-P42	PG42	32-38	10	58
SCG-P48	PG48	37-44	12	64
SCG-P63	PG63	43-52	15	78

尼龙电缆接头(NCG型) Nylon Cable Gland (TYPE NCG)

SONGYAM



- 产品材质: 尼龙, 改性橡胶
- 防护等级: IP68
- 产品性能: 固定线缆, 防液体渗漏, 耐腐蚀, 机械强度高, 通过RoHS测试。

- Type-NCG
NCG is the connector which is used to secure the cable
- Material: Nylon, rubber modified
- Protection Degree: IP68
- Properties: Secure the cable , liquidtight , corrosion resistance,high mechanical strength.
Passed RoHS

TYPE NCG-G (尼龙电缆接头)

型号 Type	螺纹规格 Thread size	卡口范围 Clamping range (mm)	螺纹长度 GL (mm)	扳手尺寸 Wrench size (mm)
NCG-G1/4	G1/4	4~8	8.5	19
NCG-G3/8	G3/8	5~10	10	22
NCG-G1/2	G1/2	6-12.5	10	24
NCG-G3/4	G3/4	12.5-18	15	33
NCG-G1	G1	17-25	17	41
NCG-G1-1/4	G1-1/4	24-32	17	52

TYPE NCG-N (尼龙电缆接头)

型号 Type	螺纹规格 Thread size	卡口范围 Clamping range (mm)	螺纹长度 GL (mm)	扳手尺寸 Wrench size (mm)
NCG-N1/4	NPT1/4	4~8	8.5	19
NCG-N3/8	NPT3/8	5~10	10	22
NCG-N1/2	NPT1/2	6-12.5	10	24
NCG-N3/4	NPT3/4	12.5-18	15	33
NCG-N1	NPT1	17-25	17	41
NCG-N1-1/4	NPT1-1/4	24-32	17	52



尼龙电缆接头(NCG型) Nylon Cable Gland (TYPE NCG)

SONGYAM



- 产品材质: 尼龙, 改性橡胶
- 防护等级: IP68
- 产品性能: 固定线缆, 防液体渗漏, 耐腐蚀, 机械强度高, 通过RoHS测试。

- Type-NCG
NCG is the connector which is used to secure the cable
- Material: Nylon, rubber modified
- Protection Degree: IP68
- Properties: Secure the cable , liquidtight , corrosion resistance,high mechanical strength.
Passed RoHS

TYPE NCG-M (尼龙电缆接头)

型号 Type	螺纹规格 Thread size	卡口范围 Clamping range (mm)	螺纹长度 GL (mm)	扳手尺寸 Wrench size (mm)
NCG-M8	M8×1.25	2-4.8	7.5	12
NCG-M10	M10×1.5	3-6	8	13
NCG-M12	M12×1.5	3-6.5、4-8	8.5、8.5	15、19
NCG-M12L	M12×1.5	3-6.5、4-8	15、15	15、19
NCG-M16	M16×1.5	4-8、6-10	10、10	19、22
NCG-M16L	M16×1.5	4-8、6-10	15、15	19、22
NCG-M18	M18×1.5	7-12.5	10	22
NCG-M20	M20×1.5	7-12.5、8.5-14	10、10	24、27
NCG-M20L	M20×1.5	8.5-14	15	27
NCG-M25	M25×1.5	8.5-14、12.5-18	10、10	27、33
NCG-M25L	M25×1.5	12.5-18	15	33
NCG-M32	M32×1.5	18-25	15	41
NCG-M36	M36×1.5	18-25	15	41
NCG-M40	M40×1.5	24-32	15	50
NCG-M50	M50×1.5	31-41	15	62
NCG-M63	M63×1.5	35-45	18	65

尼龙电缆接头(NCG型) Nylon Cable Gland (TYPE NCG)

SONGYAM



- 产品材质: 尼龙, 改性橡胶
- 防护等级: IP68
- 产品性能: 固定线缆, 防液体渗漏, 耐腐蚀, 机械强度高, 通过RoHS测试。

- Type-NCG
NCG is the connector which is used to secure the cable
- Material: Nylon, rubber modified
- Protection Degree: IP68
- Properties: Secure the cable, liquidtight, corrosion resistance, high mechanical strength.
Passed RoHS

TYPE NCG-P (尼龙电缆接头)

型号 Type	螺纹规格 Thread size	卡口范围 Clamping range (mm)	螺纹长度 GL (mm)	扳手尺寸 Wrench size (mm)
NCG-P7 S	PG7	3~6.5	8.5	15
NCG-P7	PG7	4~8	8.5	19
NCG-P9	PG9	4~8	8.5	19
NCG-P11	PG11	5~10	10	22
NCG-P13.5	PG13.5	6~12.5	10	24
NCG-P16	PG16	8.5~14	11	27
NCG-P19	PG19	8.5~14	11	27
NCG-P21	PG21	12.5~18	12	33
NCG-P25	PG25	14~20	13	37
NCG-P29	PG29	17~25	15	41
NCG-P36	PG36	24~32	15	50
NCG-P42	PG42	30~41	15.5	62
NCG-P48	PG48	35~45.5	15.5	65

附件 Accessories

SONGYAM



MGC

管端护口(MGC型) Metal Guide Collar (TYPE MGC)

- 产品材质: 采用冷轧钢板冲压而成, 表面镀锌
- 适用范围: 适用于内径6~100mm的W型、M型和C型的金属软管管端的保护
- Type-MGC
MGC is suitable for the metallic conduit type W, type M and type C
- Material: Steel. Zinc surface



BGC

接地座(BGC型) Brass Ground Clamp (TYPE BGC)

- 产品材质: 采用黄铜镀镍
- 适用范围: 适用于Z系列连接器
- Type-BGC
BGC is suitable for the connector type Z
- Material: Brass, Nickel surface



TYPE MC-A

TYPE MC-B

金属变径环(MC型) Metal Connector (TYPE MC)

- 产品材质: 采用黄铜镀镍或锌合金镀锌; 改性橡胶
- Material: Nickel-plated brass or zinc alloy, rubber modified
- 定制方法 例: 外螺纹M25×1.5—内螺纹M16×1.5



TYPE MP

金属闷盖(MP型) Metal Plug (TYPE MP)

- 产品材质: 采用黄铜镀镍
- Material: Brass, Nickel surface

■ 附件
Accessories

SONGYAM



■ 尼龙闷盖 (NP 型)
Nylon Plug (TYPE NP)

- 产品材质: 尼龙
 Material: Nylon



■ 固定座 (NTC 型)
Tubing Clamp (TYPE NTC)

- 产品材质: 尼龙
 Material: Nylon



■ 金属三通 (MD型)
Metal Distributor (TYPE MD)

- 产品材质: 锌合金镀锌
 Material: Zinc alloy



■ 尼龙三通
Nylon Distributor (TYPE ND)

- 产品材质: 尼龙
 Material: Nylon





国家防爆

防爆电气设备 防爆合格证

编号: CNEEx11.0407U

制造单位 上海崧晏电气有限公司
(上海市嘉定区嘉行公路 2935 号)

产品名称 隔爆型挠性连接管

型号规格 SWB-100×700

防爆标志 Ex dII

产品标准 Q/SY001-2011

总装图号 SWB-00.09

经对上述产品图样及技术文件的审查和样品检验, 确认符合下列标准:
GB3836.1-2000《爆炸性气体环境用电气设备 第1部分: 通用要求》
GB3836.2-2000《爆炸性气体环境用电气设备 第2部分: 隔爆型“d”》
JB9600-1999《防爆挠性连接管》

记事 本证可代表产品: 防爆标志: Ex dII
SWB-15×700(1000), SWB-20×700(1000), SWB-25×700(1000),
SWB-32×700(1000), SWB-40×700(1000), SWB-50×700(1000),
SWB-70×700(1000), SWB-80×700(1000), SWB-100×700(1000)。

本证有效期 2011年3月11日至2016年3月10日

颁发日期 2011年3月11日

中心主任



国家防爆电气产品质量监督检验中心

地址: 中国河南省南阳市仲景北路20号 邮政编码: 473008
电话: 0377-63258564 传真: 0377-63208175 [Http://www.china-ex.com](http://www.china-ex.com)

注: 本证书仅对与认可文件和样品一致的产品有效。 登陆网站 输入数码 查询真伪

4632 2942 9042 1804 查询方式: www.china-ex.com

Certificate

证书

证书编号: CNASC124Q12Q20834R0S

证书有效期: 2012年9月10日至2015年8月24日

颁证日期: 2012年9月10日

变更日期: N/A

公司名称:

上海崧晏电气有限公司

登录地址:

上海市嘉定区嘉行公路 2935 号 (201816)

验证范围:

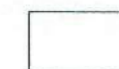
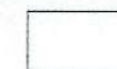
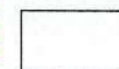
金属电线保护软管的制造

已通过珂玛认证培训有限公司的审核, 并符合以下认证标准

GB/T 19001-2008/ ISO 9001:2008

《质量管理体系 要求》

认证经理 林茂德



组织若无依照规定接受年度监督检查, 此证书将自动失效。

珂玛认证培训有限公司

上海市浦东新区东方路985号9P室
200122

电话: 86-21-68763181

传真: 86-21-68670017

网址: www.ksrtwn.com.cn



体系认证
CNAS C124-Q